



Platform AHD Camera Systems

Enhance driver visibility. Improve operational efficiency.

The Platform AHD Camera Systems has been designed to support drivers when navigating complex situations. Vehicle cameras and displays provide vehicle operators with extended visibility that can help make operations safer, protect equipment and even save lives.

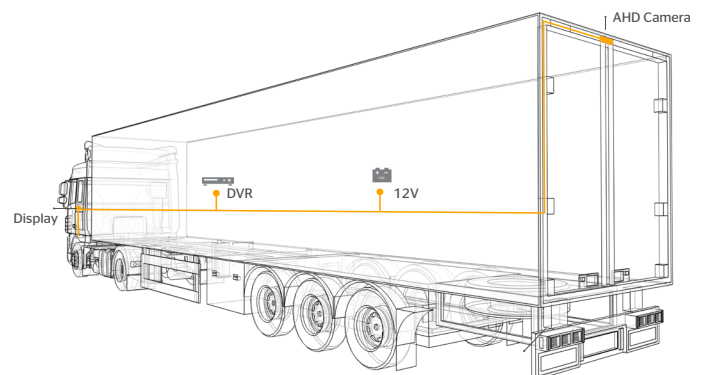
Features & Benefits

- › 2 Mega Pixel camera provides high image clarity which helps operator to understand the surroundings better
- › Display works with both CVBS input and AHD camera inputs
- › Video can be stored in supporting DVR for future driver analysis and training
- › All cameras has infrared lights for night vision
- › Easy installation
- › Different size cables available

Technical Information

- › 7" and 10.1" AHD displays
- › Waterproof and rigid 7" display
- › Integrate seamlessly with Conti Ultra Sonic sensors
- › All cameras has minimum IP 67 protection
- › Dual voltage 12V and 24V

Application



Rear View AHD Cameras

1080p Camera 150° FOV



Model No. 2910002613900

- › Standard rear-view camera
- › 1080P AHD high quality image
- › The automatic day/night sensor and infrared LEDs to provide clear image in dull condition
- › Wide-angle waterproof lens
- › Support 2.0 Megapixel CMOS sensor

Technical Specifications

Chip Brand	1/2.8" SONY CMOS Sensor
Effective Pixels	1920(H)×1080(V). 2MP
System	1080P / 30fps AHD
Minimum Illumination	OLUX (IR LED ON)
S/N Ratio (AGV OFF)	≥48 dB
White Balance	ATW
Gamma Correction	0.45
Electronic Shutter	1/60-1/100,000sec
Gain Control	AUTO
Back Light Compensation	ON
Ir LED (Range)	8Pcs Wavelength λ =940nm (5M)
Lens Type	2.65mm/F2.0
Lens Angle	150°
Video Output	1 Vpp,75 Ohms
Waterproof Rate	IP69K
Operation Temp.	-20 - +70 °C
Supply Voltage	DC12 / 24V
Power Consumption	2.0 W(max)
Dimension	62mm(W)*38mm(D)*57mm(H)
Weight (g)	190g

1080p Camera LG with microphone



Model No. 2910002613700

- › Standard rear-view camera
- › 1080P AHD high quality image
- › The automatic day/night sensor and infrared LEDs to provide clear image in dull condition
- › With built-in microphone
- › Support 2.0 Megapixel CMOS sensor

Technical Specifications

Chip Brand	1/2.8" SONY CMOS Sensor
Effective Pixels	1920(H)×1080(V). 2MP
System	1080P / 30fps AHD
Minimum Illumination	OLUX (IR LED ON)
S/N Ratio (AGV OFF)	≥48 dB
White Balance	ATW
Gamma Correction	0.45
Electronic Shutter	1/60-1/100,000sec
Gain Control	AUTO
Back Light Compensation	ON
Ir LED (Range)	8Pcs Wavelength λ =940nm (10M)
Lens Type	2.8mm/F2.0
Lens Angle	120°
Video Output	1 Vpp,75 Ohms
Waterproof Rate	IP69K
Operation Temp.	-30 - +70 °C
Supply Voltage	DC12 / 24V
Power Consumption	3W(max)
Dimension	96mm(W)*72mm(D)*84mm(H)
Weight (g)	385g

1080p Camera LG



Model No. 2910002613400

- › Standard rear-view camera
- › 1080P AHD high quality image
- › The automatic day/night sensor and infrared LEDs to provide clear image in dull condition
- › Support 2.0 Megapixel CMOS sensor

Technical Specifications

Chip Brand	1/2.8" SONY CMOS Sensor
Effective Pixels	1920(H)×1080(V). 2MP
System	1080P / 30fps AHD
Minimum Illumination	OLUX (IR LED ON)
S/N Ratio (AGV OFF)	≥48 dB
White Balance	ATW
Gamma Correction	0.45
Electronic Shutter	PAL:1/50-1/100,000sec. NTSC:1/60-1/100,000
Gain Control	AUTO
Back Light Compensation	ON
Ir LED (Range)	8Pcs Wavelength λ =940nm (10M)
Lens Type	2.8mm/F2.0
Lens Angle	120°
Video Output	1 Vpp,75 Ohms
Waterproof Rate	IP68
Operation Temp.	-30 - +70 °C
Supply Voltage	DC12 / 24V
Power Consumption	3W(max)
Dimension	87mm(L)*76.7mm(W)*78mm(H)
Weight (g)	290g

Rear View AHD Cameras

1080p Camera SM



Model No. 2910002613600

- › Standard rear-view camera
- › 1080P AHD high quality image
- › The automatic day/night sensor and infrared LEDs to provide clear image in dull condition
- › Support 2.0 Megapixel CMOS sensor

Technical Specifications

Chip Brand	1/2.8" SONY CMOS Sensor
Effective Pixels	1920(H)×1080(V), 2MP
System	1080P / 30fps AHD
Minimum Illumination	0LUX (IR LED ON)
S/N Ratio (AGV OFF)	≥48 dB
White Balance	ATW
Gamma Correction	0.45
Electronic Shutter	1/60-1/100,000sec
Gain Control	AUTO
Back Light Compensation	ON
Ir LED (Range)	8Pcs Wavelength λ =940nm (5M)
Lens Type	2.8mm/F2.0
Lens Angle	120°
Video Output	1 Vpp,75 Ohms
Waterproof Rate	IP68
Operation Temp.	-30 - +70 °C
Supply Voltage	DC12 / 24V
Power Consumption	1.5 W(max)
Dimension	67mm(W)*56mm(D)*59mm(H)
Weight (g)	245g

Front and Side View AHD Cameras

Front Facing AHD Round

- › Specially designed for front view, also suitable for rear view
- › 1080P AHD high quality image
- › The automatic day/night sensor and infrared LEDs to provide clear image in dull condition
- › The ball camera can be adjusted to desired viewing angle



Model No. 2910002613100

Chip Brand	1/2.8" SONY CMOS Sensor
Effective Pixels	1920(H)×1080(V), 2MP
System	1080P / 30fps AHD
Minimum Illumination	0LUX (IR LED ON)
S/N Ratio (AGV OFF)	≥48 dB
Ir LED (Range)	10Pcs Wavelength λ =940nm (5M)
Lens Type	2.8mm/F2.0
Lens Angle	120°
Video Output	1 Vpp,75 Ohms
Waterproof Rate	IP68
Operation Temp.	-30 - +70 °C
Supply Voltage	DC12 / 24V
Power Consumption	1.5 W(max)
Dimension	72mm(W)*50mm(D)*64mm(H)
Weight (g)	195g

Front Facing AHD Camera

- › Standard Front Facing Camera
- › 1080P AHD high quality image
- › The automatic day/night sensor and infrared LEDs to provide clear image in dull condition
- › Support 2.0 Megapixel CMOS sensor



Model No. 2910002613300

Chip Brand	1/2.8" SONY CMOS Sensor
Effective Pixels	1920(H)×1080(V), 2MP
System	1080P / 30fps AHD
Minimum Illumination	0LUX (IR LED ON)
S/N Ratio (AGV OFF)	≥48 dB
Ir LED (Range)	18Pcs Wavelength λ =940nm (10M)
Lens Type	2.8mm/F2.0
Lens Angle	120°
Video Output	1 Vpp,75 Ohms
Waterproof Rate	IP68
Operation Temp.	-30 - +70 °C
Supply Voltage	DC12 / 24V
Power Consumption	3 W(max)
Dimension	87mm(W)*76.7mm(D)*78mm(H)
Weight (g)	290g

Side View AHD Camera

- › Specially designed for side view
- › 1080P AHD high quality image
- › The automatic day/night sensor and infrared LEDs to provide clear image in dull condition
- › The ball camera inside can be adjusted to desired viewing angle



Model No. 2910002613800

Chip Brand	1/2.8" SONY CMOS Sensor
Effective Pixels	1920(H)×1080(V), 2MP
System	1080P / 30fps AHD
Minimum Illumination	0LUX (IR LED ON)
S/N Ratio (AGV OFF)	≥48 dB
Ir LED (Range)	10Pcs Wavelength λ =940nm (5M)
Lens Type	2.9mm/F2.0
Lens Angle	120°
Video Output	1 Vpp,75 Ohms
Waterproof Rate	IP68
Operation Temp.	-30 - +70 °C
Supply Voltage	DC12 / 24V
Power Consumption	1.5 W(max)
Dimension	65mm(L)*92mm(W)*59mm(H)
Weight (g)	255g

Monitors

10.1" TFT LCD Quad Monitor



Model No. 2910002615200

Technical Specifications

- › Screen size LCD Color 10.1" / 16:10
- › With built-in quad split screen function
- › Supports four camera inputs /4 Channels 1080P
- › Resolution: 1280 X 800 Pixels
- › With remote controller
- › Single View/Split view/Quad view selectable
- › Automatically turns on once vehicle is placed in reverse
- › Protection: IP 30
- › Operating Temperature : -20°C to +70°C

Features and Benefits

- › Dual Voltage 12V and 24V
- › Multi-languages OSD menu
- › PAL / NTSC Compatible
- › Mirror/Normal image can be set in OSD menu for each camera

7" Quad view AHD 1080P Monitor



Model No. 2910002615100

Technical Specifications

- › Screen size LCD Color 7" / 16:9
- › With built-in quad split screen function
- › Supports four camera inputs /4 Channels 1080P
- › Resolution: 1024 x 3(RGB) x600 pixels Pixels
- › With remote controller
- › Single View/Split view/Quad view selectable
- › Automatically turns on once vehicle is placed in reverse
- › Protection: IP 67
- › Operating Temperature : -20°C to +70°C

Features and Benefits

- › Dual Voltage 12V and 24V
- › Multi-languages OSD menu
- › PAL / NTSC Compatible
- › Mirror/Normal image can be set in OSD menu for each camera
- › Independent trigger input for each camera

7" Dual Input AHD 1080P Monitor



Model No. 2910002613200

Technical Specifications

- › Screen size LCD Color 7" / 16:9
- › Supports two camera inputs /2 Channels 1080P
- › Resolution: 800x 3(RGB) x480 pixels
- › Automatically turns on once vehicle is placed in reverse
- › Protection: IP 30
- › Operating Temperature : -20°C to +70°C

Features and Benefits

- › Dual Voltage 12V and 24V
- › Multi-languages OSD menu
- › PAL / NTSC Compatible
- › Mirror/Normal image can be set in OSD menu for each camera
- › With built-in controller, up to 2 video inputs