



# S.30H SL MH Midrise Mobile Scissor Lift - 3000kg

## Operating Instructions





## Manufacturer

Continental Automotive Trading UK Ltd  
36 Gravelly Industrial Park  
Birmingham  
B24 8TA

Sales  
Tel: 0121 725 1400  
Email: [salesorders@continental-corporation.com](mailto:salesorders@continental-corporation.com)

Technical Services  
Tel: 0121 725 1366  
Email: [uksupport@continental-corporation.com](mailto:uksupport@continental-corporation.com)

[www.continental-aftermarket.com/gb-en/home](http://www.continental-aftermarket.com/gb-en/home)

## Document Information

	Title	Short Platform Scissor Lift
	Type	S.30H SL MH
Document Revision:	Version:	324959 ISS A
	Date:	20 <sup>th</sup> October 2022
	History	324959 ISS A_Initial Draft BA H435.32 en 1 1

E & O E. The Company reserves the right to introduce improvements in design or specification without prior notice. The sale of this product is subject to our standard terms, conditions and relevant product warranty.

## TABLE OF CONTENTS

1	About these operating instructions.....	- 5 -
1.1	Symbols.....	- 5 -
1.2	Thorough inspection .....	- 5 -
2	Safety .....	- 6 -
2.1	Intended use.....	- 6 -
2.2	Foreseeable misuse .....	- 6 -
2.3	Operator's duties.....	- 6 -
2.4	Personnel qualification .....	- 7 -
2.5	Personal protective equipment .....	- 7 -
2.6	Warning indication meanings .....	- 7 -
2.7	Meanings of warning signals.....	- 8 -
2.8	Sources of danger .....	- 8 -
2.9	Environmental protection.....	- 11 -
3	Performance description.....	- 11 -
3.1	Delivery.....	- 11 -
3.2	Preparation for installation.....	- 12 -
3.3	Services provided by Continental customer service or approved partners.....	- 12 -
4	Machine description.....	- 13 -
4.1	Overview of the lifting platform .....	- 13 -
4.2	Safety devices .....	- 15 -
4.3	Technical specifications .....	- 16 -
5	Transport and storage.....	- 19 -
5.1	Load lifting platform.....	- 19 -
5.2	Storage of lifting platform .....	- 20 -
6	Assembly.....	- 20 -
6.1	Lay the foundation for the lifting platform .....	- 20 -
6.2	Assemble lifting platform .....	- 22 -
6.3	Connect hydraulic hoses .....	- 26 -
6.4	Install the lifting platform electrically.....	- 26 -
6.5	Hydraulic power unit .....	- 27 -
6.6	Fill in hydraulic oil .....	- 28 -
6.7	Ventilate the hydraulic system.....	- 28 -

## TABLE OF CONTENTS CONTINUED

7	Control.....	- 29 -
7.1	Operating instruction labels .....	- 29 -
7.2	Controls .....	- 30 -
7.3	Control elements .....	- 31 -
8	Operation.....	- 31 -
8.1	Place the vehicle.....	- 31 -
8.2	Lift the load handling device .....	- 32 -
8.3	Lower the load handling device .....	- 32 -
8.4	Switch off the lifting platform .....	- 33 -
8.5	Drive the vehicle out of the lifting platform.....	- 33 -
8.6	Lower the load handling device during emergency .....	- 34 -
8.7	Rectify malfunctions .....	- 35 -
9	Initial commissioning.....	- 37 -
10	Maintenance.....	- 37 -
10.1	Carry out thorough inspection .....	- 37 -
10.2	Inspections.....	- 38 -
10.3	Maintain and clean lifting platform.....	- 40 -
10.4	Spare Parts.....	- 41 -
11	Decommissioning.....	- 46 -
11.1	Disconnect the lifting platform from the power supply.....	- 46 -
11.2	Empty hydraulic tank.....	- 46 -
11.3	Uninstall the lifting platform electrically .....	- 46 -
11.4	Disassemble the scissors .....	- 46 -
12	Disposal.....	- 46 -
13	Appendix.....	- 47 -
13.1	Transport damage report .....	- 47 -
13.2	CE Declaration of Conformity .....	- 48 -
13.3	UKCA Declaration.....	- 49 -
13.4	Circuit diagram.....	- 50 -
13.5	Hydraulic plan .....	- 51 -

## Foreword



Continental Lifts are the result of over 100 years experience in the automotive industry. The high quality and the superior concept ensure reliability, a long lifetime and above all, economic business solution.

## 1 About these operating instructions

The operating instructions are intended to ensure safe handling of the lifting platform. The operating instructions must be read carefully. Compliance with the safety instructions is a prerequisite for safe handling of the lifting platform.

- All persons working on the lifting platform must have read and understood the operating instructions before starting any work.
- The operating instructions are an integral part of the machine. They must be kept accessible to personnel at all times.

### 1.1 Symbols

Symbol	Function
	Required tools and material
	Information

### 1.2 Thorough inspection

In addition to the safety instructions in this operating manual, the accident prevention regulations and the health and safety regulations apply.

Accordingly, the following applies to the operator.

- An inspection book must be created and maintained for the lifting platform.
- In accordance with BS7980 the lifting platform must undergo an initial thorough inspection prior to initial start-up. The result of the inspection must be entered in the inspection book.
- The lifting platform must be inspected by an expert at regular intervals of no more than six months. The result of the inspections must be entered in the inspection book.

## 2 Safety

Read and follow the following safety instructions to avoid damage.

### 2.1 Intended use

The lifting platform is used for lifting motor vehicles.

### 2.2 Foreseeable misuse

- It is not permitted for persons to ride on the load-carrying equipment.
- The vehicle may only be lifted using 4 pick-up points.
- No persons may be present in the danger zone during the lifting and lowering movement.
- The total weight of the vehicle must not exceed the maximum permissible load capacity and load distribution of the lifting platform.
- The lifting platform must not be modified without authorisation.
- It is not permissible to utilise or install the lift in a hazardous location or wash bays.

All forms of use that do not correspond to the intended use are impermissible.

### 2.3 Operator's duties

The operator of the lifting platform must plan the following measures for safe handling and monitor their execution.

- The lifting platform shall be used as intended in a functional condition.
- The occupational health and safety regulations are known and implemented.
- The personnel shall be regularly trained and informed about hazards.
- The personnel shall be provided with necessary personal protective equipment and it shall be worn by them.
- The personnel knows and understands the contents of the operating manual and in particular the safety instructions contained therein.
- The operating instructions are always in a legible condition and are available in their entirety at the location of the lifting platform.
- Hazards shall be determined in a hazard assessment. The results shall be communicated to the personnel by means of operating instructions.
- The safety equipment shall be regularly checked for proper functioning.
- All safety and warning signs affixed to the lifting platform shall be legible and shall not be removed.
- Arrange for annual expert inspection.

## 2.4 Personnel qualification

Target Group	Definition
Trained person	Person who operates the lifting platform as intended. The person has been informed about existing dangers, necessary protective measures, rules of conduct in the event of malfunctions, accidents and first aid in emergencies.
Qualified professional	Person who has expertise through professional training and experience. They can assess the work, identify and avoid hazards.

The personnel qualification depends on the activity on the lifting platform. The authorisations are listed in the table below.

Life Stage	Target Group
Transport and storage	Logistics specialist
Assembly	Technical specialist
Installation	Electrical specialist Pneumatic specialist Hydraulic specialist
Maintenance	Trained person
Inspection	Qualified professional
Decommissioning	Technical specialist
Disposal	Specialist for recycling and waste management

## 2.5 Personal protective equipment

Wear safety shoes during all work on the lifting platform and operation of the lifting platform.








## 2.6 Warning indication meanings

Warning notices in the operating instructions warn of specific danger.

Warning indication	Meaning
<b>Danger</b>	Serious injury and death certain
<b>Warning</b>	Serious injury and death possible
<b>Caution</b>	Minor injury possible
<b>Attention</b>	Damage to property possible



## 2.7 Meanings of warning signals

Warning signals	Meaning
	General warning sign
	Warning against electrical voltage
	Warning against crushing
	Warning against risk of crushing
	Warning against obstacles in the head section
	Warning against hand injuries
	Warning against falling objects
	Warning against floor-level conveyors

## 2.8 Sources of danger

- Keep escape and traffic routes clear.
- Wear personal protective equipment.
- Respond immediately to disturbances in normal operation.
- Observe the inspection and maintenance intervals specified in the operating instructions.
- Follow annual expert inspection.
- Before maintenance and repair work and work on the electrical system, the lifting platform must be **de-energised**. Carry out the following 5 steps.
  1. Activate lifting platform.
  2. Secure lifting platform against restart.
  3. Determine the absence of voltage on the lifting platform.
  4. Grounding and shorting.
  5. Cover or fence off adjacent live parts.

## 2.8.1 Dangers due to electricity

Lifting platform may contain live parts.

*Serious injury and property damage possible due to improper installation and execution of work.*

- Check electrical equipment regularly.
- Tighten loose connections.
- Replace damaged lines and cables immediately.
- Always keep the housing of electrical equipment closed.
- Never spray the housing of electrical equipment with a water hose for cleaning.
- After initial installation, repairs and modifications to the installation, carry out protective conductor tests (VDE regulation 0100).

## 2.8.2 Dangers due to hydraulics

Lifting platform containing a hydraulic system.

*Malfunctions in the lifting and lowering process possible due to leakage. Serious injury and damage to property possible.*

- Check hydraulic oil level regularly.
- Check for leaks.

*Hydraulic oil can cause skin and eye irritation upon contact.*

- Wear protective goggles and gloves when filling and changing the hydraulic oil.
- Avoid prolonged skin contact with hydraulic oil.
- Upon skin contact: Wash affected area with soap and water. Remove soaked clothing.
- Upon eye contact: Rinse affected eye under running water for 10 minutes. Seek ophthalmological advice.
- Upon ingestion: Do not induce vomiting. Seek medical advice.
- Immediately absorb spilled hydraulic oil with liquid-binding material. Dispose of material properly. Clean floor. There is a risk of slipping if hydraulic oil escapes.

*Fire due to hydraulic oil possible.*

- Keep ignition sources and open flames away from hydraulic oil.
- Do not smoke.
- Suitable extinguishing media: Fire extinguisher Fire class B

### 2.8.3 Dangers when operating the lifting platform

The following conditions must be met by the person operating the lifting platform:

- At least 18 years of age.
- Trained person
- Has proven competence.
- Has been instructed by the contractor.

Lifting platform is operated.

*Serious injury and property damage possible due to improper operation.*

Before **switching on** the lifting platform, check and ensure the following:

- The lifting platform is not in a potentially explosive atmosphere.

*The lifting platform is not explosion-proof as standard.*

- Only instructed persons shall be present in the work area.
- No one can be injured by the lifting platform starting up.
- Lifting platform has no visible damage and is in working condition.
- Check safety devices. Ensure proper functioning.
- Report any defects found to the supervisor immediately.

Observe the following **when lifting and lowering** the load-carrying equipment:

- Check danger zone. There must be no persons or objects in the danger zone during lifting and lowering.

*The danger zone is the area below the load-carrying equipment and the vehicle, where a person is exposed to danger.*

- Pick up the vehicle at the points provided by the manufacturer. Check vehicle pick-up.
- Lift vehicle with 4 pick-up points.
- Observe load-carrying equipment when lifting and lowering.
- Observe changing weight shift and total weight of loaded vehicles.

### 2.8.4 Conduct in the event of danger

Main switch serves as emergency stop.

Keep first aid equipment functional and close at hand.

1. Set main switch to 0
2. Leave danger zone.
3. Make emergency call.
4. Provide first aid.
5. Report accident to supervisor.

## 2.9 Environmental protection

During all work on and with the lifting platform, the legal obligations for waste avoidance and proper recycling/disposal must be complied with.

Particularly during installation, repair and maintenance work, water-polluting substances must not be allowed to contaminate the soil or enter the sewage system.

These include:

- Lubrication agent and oils,
- Hydraulic oils,
- coolants and
- cleaning fluids containing solvents.

These substances must be stored, transported, collected and disposed of in suitable containers.

## 3 Performance description

### 3.1 Delivery

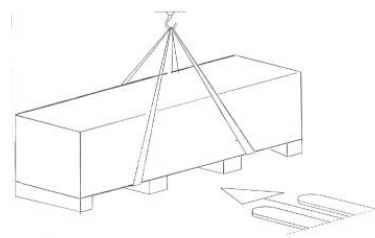
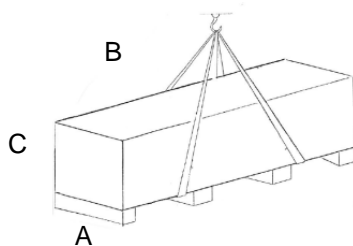
**Haulage firm:** Calculation with normal freight flat rate: Forklift must be provided. Weight of the lifting platform approx. 650 - 2700 kg, depending on the lifting platform type.

**Truck with tail lift:** Calculation with increased freight flat rate: Unloading assistance must be provided. Weight of the lifting platform approx. 650 - 1000 kg, depending on the lifting platform type.

Dimensions:

Lift	A	B	C
Scissor Lift	800	5000	450

Dimensions in mm!



The packed lift should only be lifted at the appropriate points. Gripping the lift from below with a fork-lift truck can lead to costly repairs.

The lift should not be stored outside.

When the lift and the accompanying packages are unpacked, any damages should be noted and Continental should be informed immediately. The individual parts must be laid out in such a way that nothing can be lost when the packing material is disposed of.

### 3.2 Preparation for installation

Before setting up the lifting platform, the operator must arrange for the following work to be carried out:

- Building a foundation. See *Building a foundation for lifting platform*.
- Lay the electrical supply line to the installation site.
- If necessary, lay the compressed air connection to the installation site.
- Transport lifting platform until the installation site. See *Transport and storage*.

### 3.3 Services provided by Continental customer service or approved partners

- Installation of the lifting platform with dowelling in the floor or set up of the mobile lift can be arranged through customer services.

Set up by the operator is entirely at your own risk, we recommend contacting the customer service team and arranging a trained professional.

If lifting platform is set up by the operator:

- Observe operating instructions.
- A thorough examination to comply with BE EN7980 is required.

Services performed by customer services will be charged at the applicable hourly rates and additional travel expenses.

## 4 Machine description

### 4.1 Overview of the lifting platform

The lifting platform consists of 2 electro-hydraulically driven scissors.

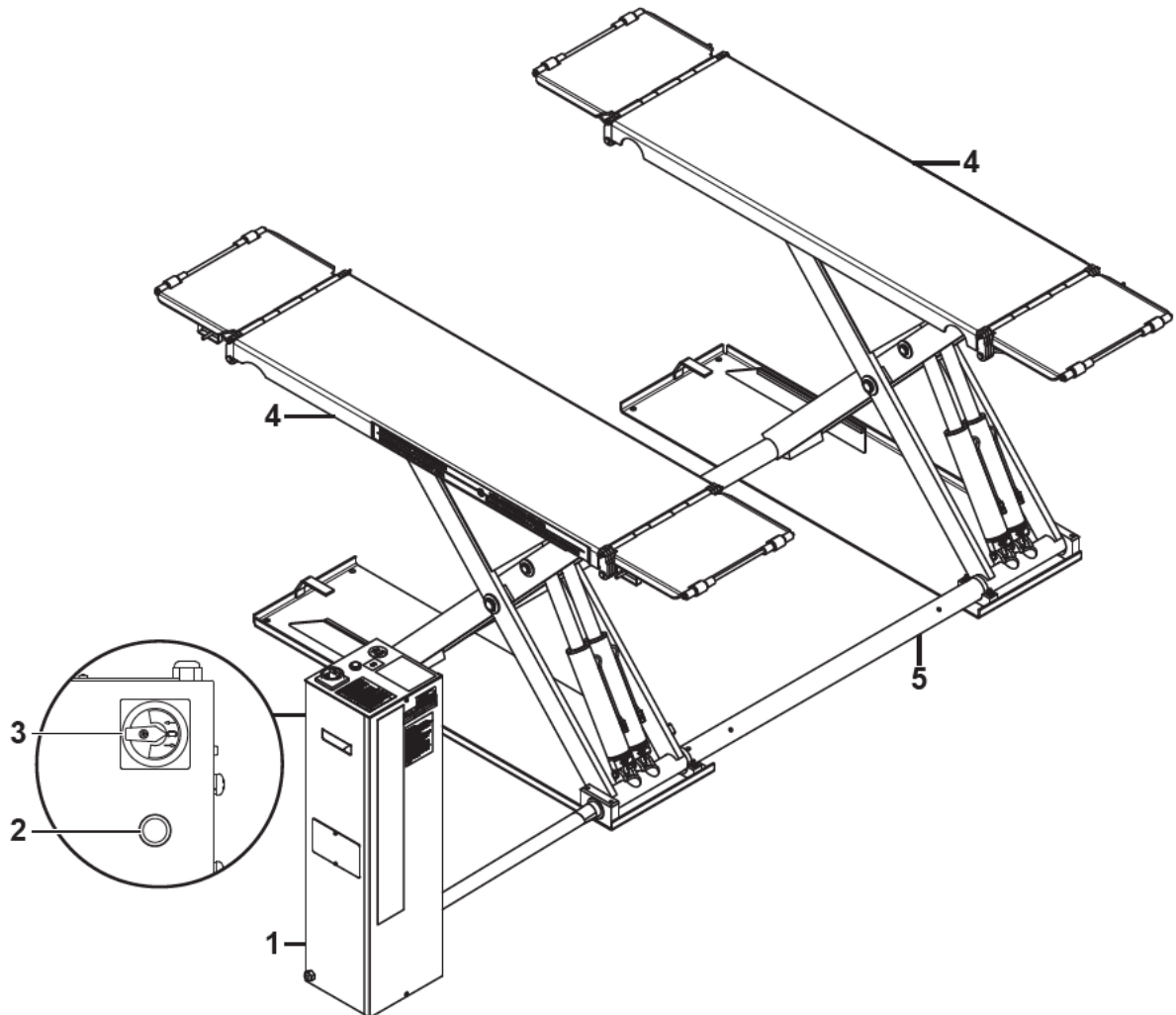


Figure 1: Comprehensive view of the compact scissors of the lifting platform

Item	Component	Function
1	Control Panel	Part of the lifting platform, which includes the hydraulic power unit as well as the hydraulic and electrical control system. The control elements are fastened on it.
2	Control Elements	Buttons for the controlling the control system
3	Main Switch	Switch for the lift, On/Off
4	Scissors	Scissor frame
5	Cover Plate	Conceals cables and hoses

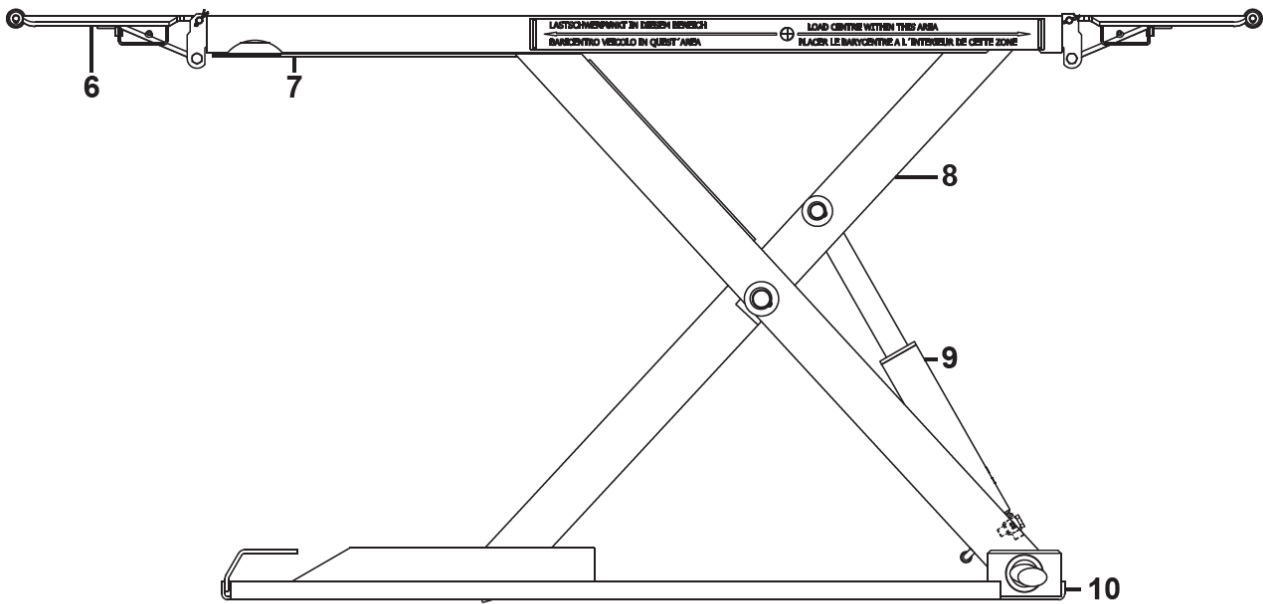


Figure 2: Comprehensive view of the scissors

Item	Component	Function
6	Ramp	Crossover, which makes going up and down on the concrete floor and rail possible.
7	Rail	Load handling device with horizontal surface, which lifts up the vehicle on the wheels.
8	Scissor frame	Holds the rails in position.
9	Hydraulic cylinder	Medium with which the force is transferred from the energy source to the load handling device.
10	Base Plate	Holds the scissor-type frame on the concrete floor in position.

## 4.2 Safety devices

Check safety devices at least every three months and after setting up, operation and malfunctions of the lifting platform for proper functioning.

Do not replace safety devices.

Do not change the position or function of the safety devices.

Important safety devices:

Safety device	Function
Rack element safety device	Secures scissor-type frame.  Uncontrolled lowering is prevented.
Pressure relief valve	Pressure is restricted to the maximum value. Damage due to excess pressure is prevented.
Safety stop	In the lowering process, scissors are automatically stopped at the programmed position (200 mm above the starting position of the load handling device). The load handling device is lowered further only after the button Lower into the danger zone is actuated.  Immediate lowering in the starting position is prevented.



## 4.3 Technical specifications

### 4.3.1 Performance data

Pack dimensions [cm]	200x150x40
Net weight [kg]	570
Load capacity [kg]	3000
Load distribution	3:2 or 2:3
Drive-up height [mm]	105
Lifting [mm]	845
Lifting height [mm]	950
Cylinder stroke of the main cylinder [mm]	235
Lowering time [s]	30
Lifting time [s]	35
Engine power [kW]	2.2
Connected value [V]	400
ED-mode [%]	S3 - 10
Power consumption [A]	7.4
Fusing [A gl time delay fuse]	16
Sound pressure level [dB (A)]	74
Ambient temperature [°C]	10 - 40
Relative humidity [%]	up to 50 (at 40 °C) At lower temperatures, higher humidity is permitted (e.g. 90 (at 20°C)). Prevent condensate formation.
Air pressure [bar]	8
Operating pressure [bar]	220
Operating pressure of cylinder, hydraulic [bar]	260
Piston diameter [mm]	55
Hydraulic oil	Shell Tellus S2M22 or equivalent
Oil filling [l]	5
Initial filling before the first stroke [l]	5
Further filling [l] -	N/A
Capacity of the pump [l/min]	6

230V AC nominal, single phase, 50/60Hz with a 16A time lag fuse



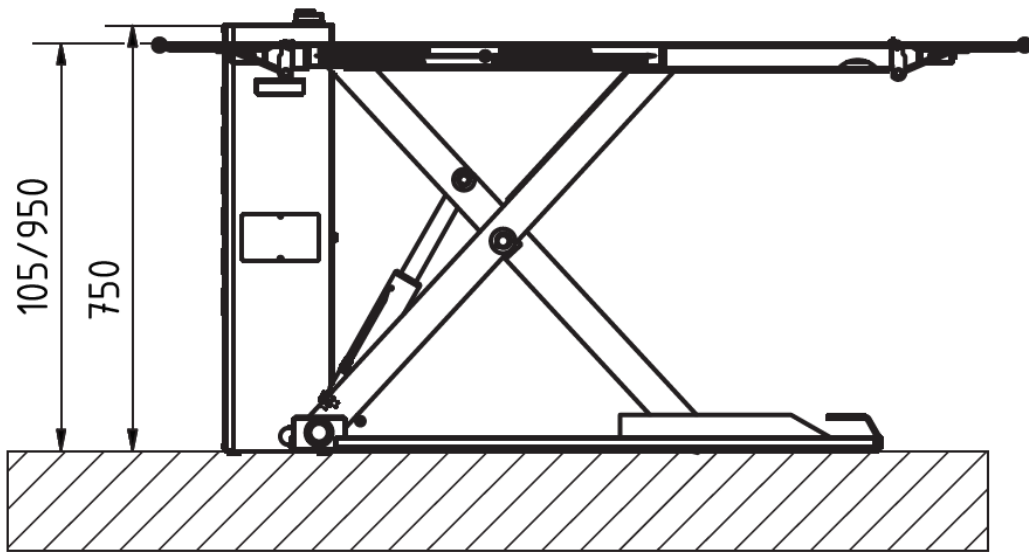
*An industrial 16A plug (not supplied) should be used to connect to power supply*

### 4.3.2 Connections

#### Electrical connection

- Power-operated lifting platforms must have a lockable main switch at an easily accessible point. This is a permanently installed device, which helps secure the lifting platform against unauthorised use after decommissioning.

### 4.3.3 Dimensions



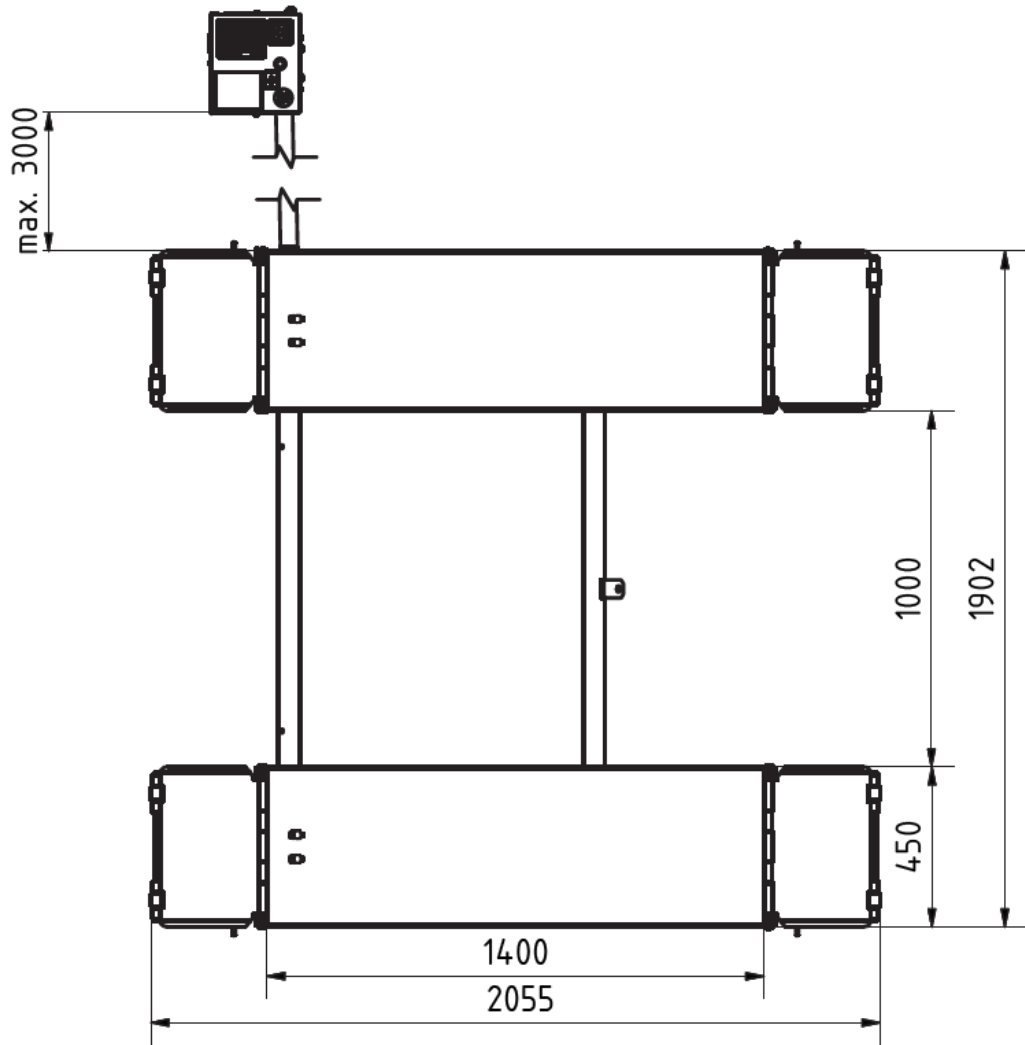



Figure 3: Dimensions S.30H SL MH

## 5 Transport and storage



The following work may only be performed by logistics experts.

### 5.1 Load lifting platform

	<b>⚠ Warning</b>
	<p>Crate is transported. <i>Serious injuries and material damage possible due to incorrect load suspension.</i></p> <ul style="list-style-type: none"> <li>• Check load-bearing capacity.</li> <li>• Stack a maximum of 4 packages.</li> <li>• Do not collide with moving industrial trucks.</li> <li>• Observe environment.</li> </ul>

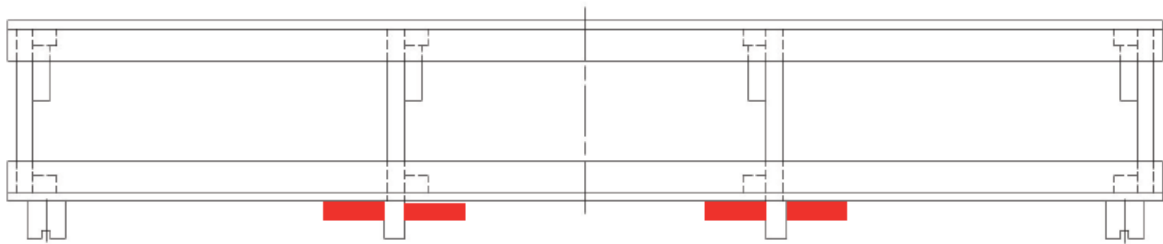


Figure 4: Pick-up points

Transport the lifting platform to the installation site using a forklift. Observe pick-up points.

Check the lifting platform for transport damage in the presence of the haulage firm.

In case of transport damage:

Report any transport damage immediately to the haulage firm and Continental Automotive Trading UK Ltd.

Use transport damage report, transport damage can only be regulated if a transport damage report has been submitted (see 13th Appendix of Transport damage report).

- Do not issue a clean receipt to a haulage firm.
- Provide the following information:
  - Tracking number, delivery note and date of delivery
  - Lifting platform type and serial number
  - Exact description of damage
  - Attach photos for better understanding.
- Check accessory package for completeness

## 5.2 Storage of lifting platform

### Attention

*Material damage is possible due to improper storage.*

- Do not store the lifting platform outdoors.
- Store lifting platform in a dry place.
- Do not unpack the lifting platform until you reach the installation site.
- Protect the lifting platform from damage and soiling.
- Stack a maximum of 4 packages.

Ambient temperature [°C] 10 - 40

Humidity [%] up to 50 (at 40 °C) At lower temperatures, a higher humidity is permissible (e.g. 90 (at 20°C)).  
Prevent condensate formation.

## 6 Assembly



It is possible to fasten the lift to an even floor with anchors.

The following work must be carried out exclusively by the technical staff.

The assembly can be verified with the service checklist. See Service checklist.

### 6.1 Lay the foundation for the lifting platform

8 ground anchors are required. (not included in the scope of delivery)

E.G. Hilti HVA/HAS-M12x110 of equivalent should be used.

Individual verifications are necessary when anchoring on existing reinforced concrete ceiling.

Foundation requirements:

- Even, non-cracked and horizontal concrete floor
- The subsoil shall comply with the general guidelines for subsoil (German Institute for Standardisation (DIN) 1054).

	Individual foundation	
<b>Subsoil strength <math>\sigma_b</math></b>	$\geq 200 \text{ kN/m}^2$	$\geq 150 \text{ kN/m}^2$
<b>Compressive strength class of base plates</b>	C20/25	C20/25
<b>Concrete cover</b>	> 2 cm	> 2 cm
<b>Thickness</b>	> 21 cm	> 21 cm
<b>AS<sub>x,x</sub></b>	2.57 cm <sup>2</sup> /m - lower reinforcement BST 500 M	2.57 cm <sup>2</sup> /m - lower reinforcement BST 500 M
<b>AS<sub>x,y</sub></b>	3.77 cm <sup>2</sup> /m - upper reinforcement BST 500 M	3.77 cm <sup>2</sup> /m - upper reinforcement BST 500 M

Reinforcement bars can be used for a thickness < 21 cm.  
 A self-supporting base frame can be used for a thickness of < 15 cm.

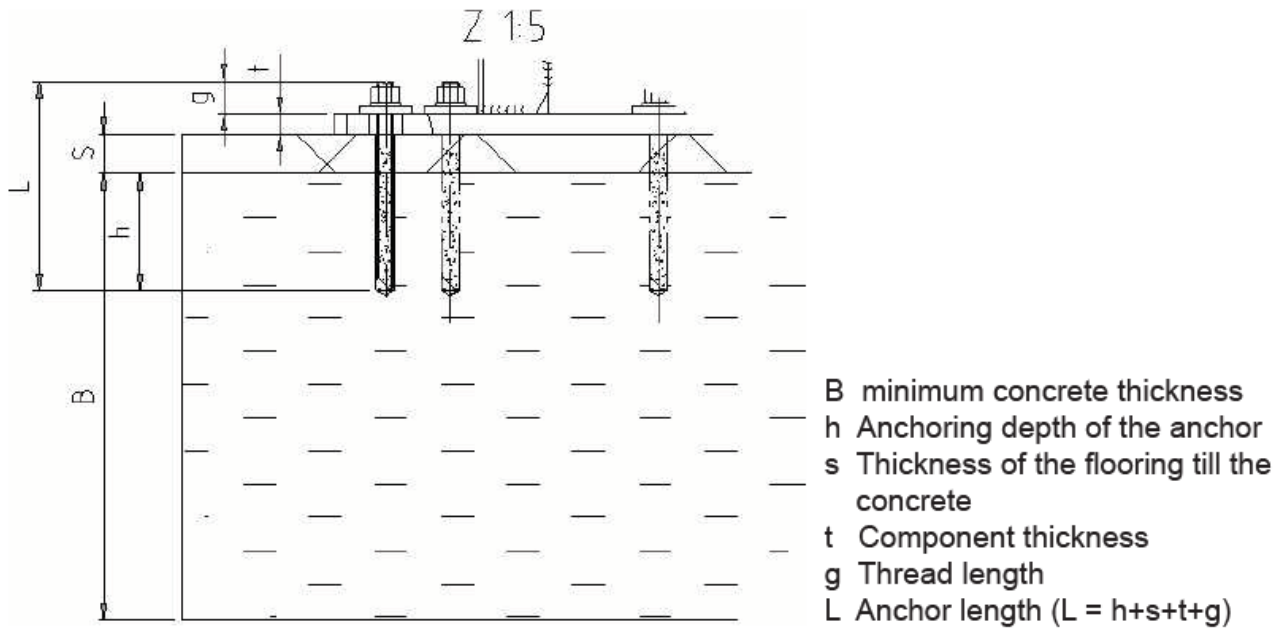


Figure 5: Base anchoring

## 6.2 Assemble lifting platform

### 6.2.1 Service checklist

#### Lifting platform

Type: \_\_\_\_\_

Serial number: \_\_\_\_\_

Year of manufacture: \_\_\_\_\_

Initial commissioning: \_\_\_\_\_

#### Trade partner

\_\_\_\_\_  
 \_\_\_\_\_

#### Customer

\_\_\_\_\_  
 \_\_\_\_\_

Without a properly completed service checklist, the warranty becomes void.

Before assembly	✓	✗
Lifting platform checked for transport damage. Transport damage reported.		
Lifting platform and accessories checked for completeness.		
Workplace size determined. <i>Ceiling height, vehicle positioning, safety distances and location of the drive side are taken into account.</i>		
Test drilling and foundation testing done.		
Floor flatness tested.		
The electrical supply line laid until the installation site.		

During assembly	✓	✗
Lifting platform mounted according to specifications of the operating instructions. <i>Scissors aligned to assembly dimension.</i>		
Lifting platform lubricated according to lubrication plan.		
Lifting platform hydraulically connected.		
Lifting platform electrically programmed.		
Protective conductor test performed according to VDE 0100.		
Light barrier adjusted.		
Fasteners tested.		
Test runs carried out in accordance with <i>initial commissioning</i> .		

After assembly	✓	✗
Expert inspection carried out after initial commissioning.		
Inspection book filled in.		
Customers instructed about functions of the lifting platform. <ul style="list-style-type: none"> <li>• <i>Safety devices</i></li> <li>• <i>Control</i></li> <li>• <i>Maintenance (inspections, care and cleaning, annual expert inspection)</i></li> </ul> Person briefed: _____		
Inspection book and operating instructions handed over to customer. Customers are advised to read and observe the operating instructions.		
Customers briefed on maintenance obligations. <ul style="list-style-type: none"> <li>• <i>Annual expert inspection must be performed.</i></li> <li>• <i>Maintenance is carried out according to the specifications in the operating instructions.</i></li> <li>• <i>Lubrication must be checked monthly.</i></li> <li>• <i>Inspection of special safety devices</i></li> </ul>		

Briefing on function, safety devices, operation and maintenance (inspection, care and cleaning, annual expert inspection) has been carried out.

- A briefing on maintenance obligations of the operator has been carried out.
- The operator is convinced of the proper functioning of the lifting platform.
- The operator was advised to observe the operating instructions.

**Remarks**

---



---



---




---

Location and date	Name of operator	Signature	<div style="border: 1px solid black; height: 60px; margin: 0 auto;"></div> Stamp of operator
Location and date	Name of the person briefed	Signature	
Location and date	Stamp of technician/trade partner	Signature	<div style="border: 1px solid black; height: 60px; margin: 0 auto;"></div> Stamp of trade partner
Location and date	Name of the person briefed	Signature	



## 6.2.2 Prepare assembly


	<p><b>Warning!</b></p>
	<p>Partition is lifted. <i>There can be serious injuries due to the suspended load.</i></p> <ul style="list-style-type: none"> <li>• Check the load-bearing capacity.</li> <li>• Block the access for unauthorised persons to the work area.</li> <li>• Do not run into load.</li> </ul>

<p><b>Attention</b></p>
<p>Scissors are lifted. <i>There can be damage to property due to striking.</i></p> <ul style="list-style-type: none"> <li>• Do not put up the scissors.</li> </ul>



- Assembly crane

1. Carry out test drilling.
2. Check the foundation.
3. Check the evenness of the floor. *Slope: maximum 0.6 %*
4. Lift the scissors from the crate with the assembly crane.
5. Put down the scissors.
6. Dispose of the packaging material.

	<p><b>Warning!</b></p>
	<p>The scissors are assembled. <i>There can be serious injuries due to crushing.</i></p> <ul style="list-style-type: none"> <li>• Check the load-bearing capacity.</li> <li>• Block the access for unauthorised persons to the work area.</li> </ul>



- Assembly crane
- Drill hammer
- Underlying material (not included in the scope of delivery.)
- Connection anchor (not included in the scope of delivery.)

Figure 6: Size of the work area of the scissors lifting platform.



Align the base plates in parallel.

- Check the layout. Level with metal shims as required.

Base plates are laid out all over the surface.

- Drill 8 holes in the concrete floor.
- Screw in 8 connection anchors. Use holes in the base plates.
- Take note of specifications of the anchor manufacturer.
- Torque: 40 Nm

## 6.3 Connect hydraulic hoses



The following work must be carried out exclusively by the hydraulic specialists

	<b>Warning!</b>
	<p>Hydraulic hoses are connected. <i>Serious injuries are possible due to the mix-up of connections.</i></p> <ul style="list-style-type: none"> <li>• Connect hydraulic lines as per the hydraulic plan.</li> </ul>

### Attention

The hydraulic system is being worked on.  
*There can be disruptions in the operation due to unclean work.*

- Pay attention to the cleanliness of the hydraulic elements.
- Remove the protective plugs before connecting.

- Connect the hydraulic hose between the scissors.
- Position the control panel.
- Connect the supply lines (see *Appendix Hydraulic plan*).

## 6.4 Install the lifting platform electrically



The following work must be carried out exclusively by qualified electricians.

	<b>Warning!</b>
	<p>The lifting platform is installed electrically. <i>There can be serious injuries and damage to property due to improper installation.</i></p> <ul style="list-style-type: none"> <li>• Disconnect the lifting platform from the power supply.</li> <li>• Check the correct installation of cables.</li> </ul>

Disconnect the lifting platform from the power supply

1. Release the lifting platform.
2. Secure the lifting platform from restarting.
3. Ensure de-energisation on the lifting platform.
4. Ground and short-circuit.
5. Cover or fence off adjacent live parts.

Connect electric cable.

1. Position the control panel (see *Technical specifications*).
2. Drill holes in the concrete floor.
3. Use anchors.
4. Screw the control panel in place.
5. Route the cable for electrical connection in the control panel.

6. Connect electric cable (see *Appendix Electric circuit diagram*). Pay attention to the numbering of the cables.
7. Carry out the protective earthing conductor test.

### 6.5 Hydraulic power unit

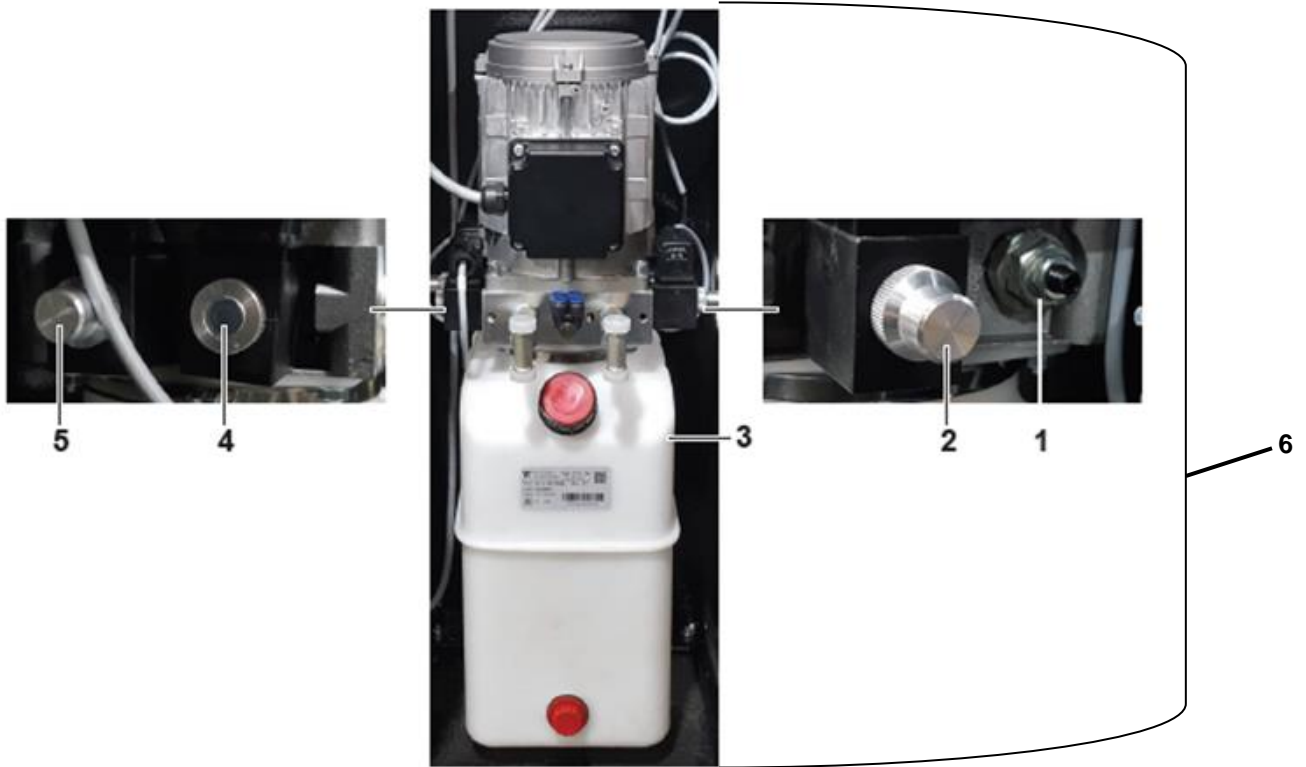


Figure 7: Hydraulic power unit (639880)

Item	Component	Part Number
1	Pressure relief valve	
2	Y3 2/2-Way-valve (lowering) with manual operation	
3	Hydraulic tank	
4	Y2 2/2-Way-valve	
5	Y1 2/2-Way-valve with manual operation	
6	Complete hydraulic unit (aka Drive unit)	2910002842900

## 6.6 Fill in hydraulic oil

 The following work must be carried out exclusively by the hydraulic specialists.

1. Check the connection of the hydraulic lines.
2. Fill 5l hydraulic oil in the tank of the hydraulic power unit,
3. *Prevent the hydraulic oil from overflowing.*
4. Wipe off the overflown hydraulic oil.

## 6.7 Ventilate the hydraulic system

Set the main switch to *ON*.

*The hydraulic oil flows in the hydraulic cylinder.*

*Load handling device is lifted.*

*Lifting of the load handling device is stopped automatically at the upper end stop point.*

Check the danger zone.

Set the main switch to *OFF*.

*Hydraulic oil with trapped air flows in the hydraulic tank.*

*The load handling device is lowered to the lower end stop point.*

Repeat step 1 - 3 several times. Wait for a short time after every repetition. Venting is complete.

## 7 Control

### 7.1 Operating instruction labels

	<p>Read and understand the operating instructions before starting any work. Only instructed persons may operate the lifting platform. Persons must not ride on the load-carrying equipment or in the vehicle.</p> <ol style="list-style-type: none"> <li>1. Pick up the vehicle at the points provided by the manufacturer. Do not lift vehicle and check vehicle pick-up.</li> <li>2. Lift load-carrying equipment.</li> </ol> <p>Observe lifting platform when lifting and lowering. Check danger zone. There must be no persons in the danger zone during lifting and lowering the load-carrying equipment.</p> <p>Check danger zone. No objects may be in the danger zone and on the vehicle when lifting and lowering the load-carrying equipment.</p>
	<p>Load Distribution 3:2 or 2:3</p> <p>Live parts <i>Electric shock certain if live parts are touched.</i></p> <ul style="list-style-type: none"> <li>• Do not touch live parts.</li> </ul> <ol style="list-style-type: none"> <li>1 Read and understand the operating instructions and inspection book.</li> <li>2 Inspect the machine.</li> <li>3 Lubricate component with multi-purpose grease.</li> <li>4 Oil component.</li> <li>5 Always keep component clean and free of grease.</li> <li>6 Use PH-neutral cleaning agents.</li> </ol> <p>A Maintenance interval monthly B Maintenance interval quarterly C Maintenance interval every six months</p>

## 7.2 Controls

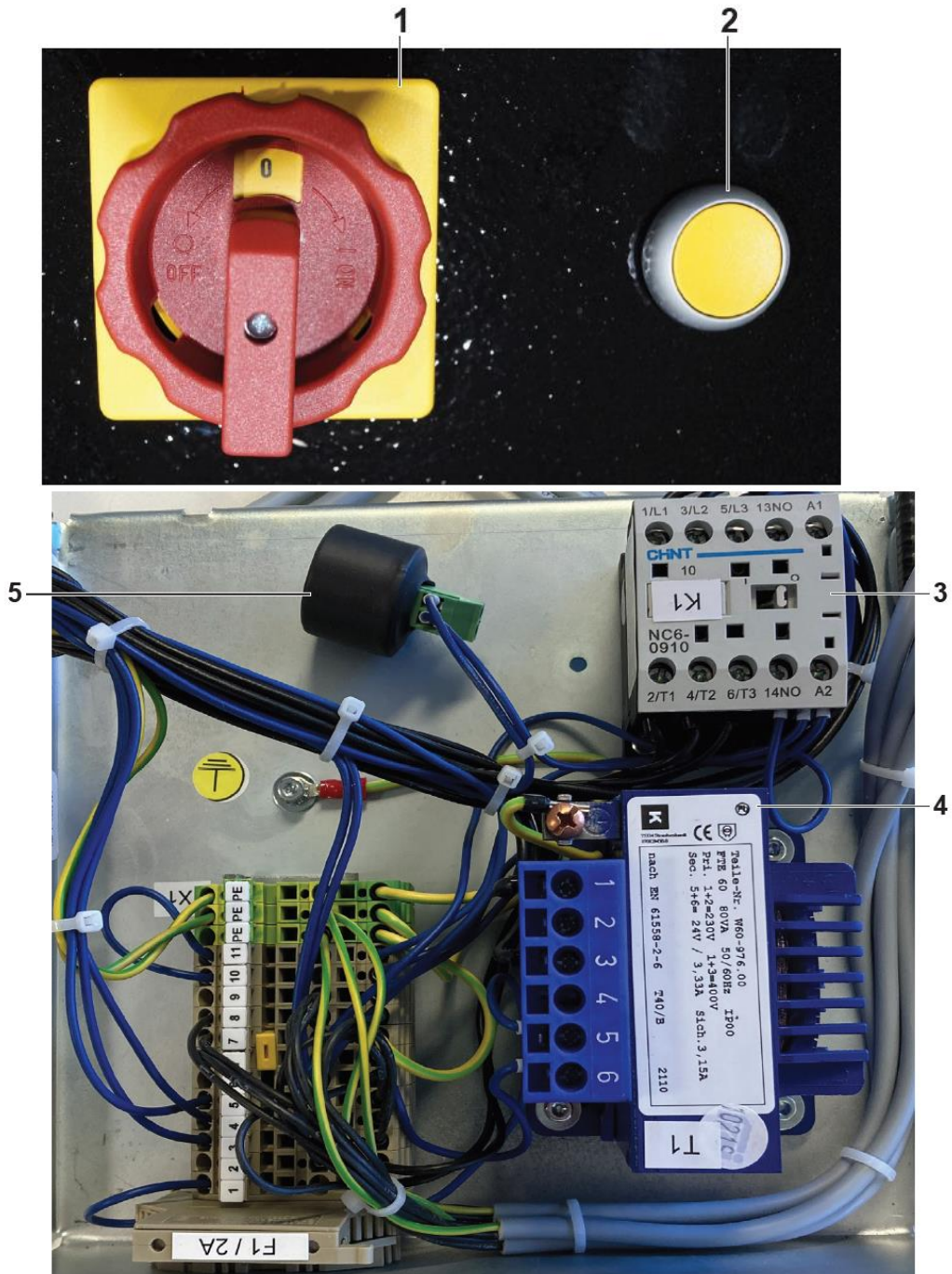




Figure 8: Controls (506535)


Item	Component	Part Number
1	Main Switch	2910003027300
2	Lowering Button	2910002825300
3	Contactor	2910002830000
4	Transformer	2910002829700
5	Alarm Sensor	2910002828800

### 7.3 Control elements

Control element	Function
	<p>Main switch 0, ON and OFF</p>
	<p>Button Lower into the danger zone</p>

## 8 Operation

 The following work must be carried out exclusively by trained persons.

<b>Warning!</b>	
	<p>The load handling device with the vehicle is lifted and lowered. <i>There can be serious injuries and damage to property due to falling of the vehicle and crushing.</i></p> <ul style="list-style-type: none"> <li>• Check the danger zone for persons and objects.</li> <li>• Set the main switch to 0 when working under the vehicle.</li> <li>• Check the vehicle support after briefly lifting it.</li> <li>• The overall weight of the vehicle may not exceed the permissible load capacity and load distribution.</li> <li>• Pay attention to shift in centre of gravity when replacing heavy parts.</li> </ul>

### 8.1 Place the vehicle

1. Drive the vehicle on the rails.
2. Check the vehicle support.

*The rail lies in the middle between the wheels of the vehicle.*



## 8.2 Lift the load handling device



Figure 9: Main switch ON

1. Place 4 rubber blocks on the rails. Rubber blocks are placed at the position points specified by the manufacturer.
2. Set the main switch to ON.
  - Load handling device is lifted.
  - The load handling device is no longer lifted as soon as the main switch is released.
3. Release the main switch as soon as the scissors are slightly extended.
  - The load handling device is no longer lifted.
  - The main switch is on 0.
4. Check the attachment of the 4 rubber blocks on the vehicle.
5. Set the main switch to ON. Load handling device is lifted.
6. Release the main switch.
  - The load handling devices are lifted to the desired position.
  - The main switch is on 0.
  - Lifting of the load handling device is stopped automatically at the upper end stop point.

## 8.3 Lower the load handling device



Figure 10: Main switch OFF



Figure 11: Button Lower into the danger zone

- Set the main switch to *OFF*.  
*Load handling device is lowered.*  
*The load handling device is no longer lowered as soon as the main switch is released.*  
*The load handling device automatically stops 200 mm above the lower end stop point (safety stop).*  
 Check the danger zone.  
 Press the button *Lower into the danger zone*  
 Simultaneously set the main switch to *OFF*.  
*Load handling device is lowered.*  
*The signal tone rings out.*  
*Lowering of the load handling device is stopped automatically at the lower end stop point.*

## 8.4 Switch off the lifting platform



Figure 12: Main switch 0

1. Set the main switch to 0.  
Lifting platform is switched off.
2. Lock the main switch with a padlock.  
Main switch is secured against being switched on again.


## 8.5 Drive the vehicle out of the lifting platform


- The load handling devices are lowered to the lower end stop point.
  - Lifting platform is switched off.
- Bring down the vehicle from the rails.

## 8.6 Lower the load handling device during emergency



The following work must be carried out exclusively by the technical staff.

	<p style="background-color: yellow; text-align: center;"><b>Warning!</b></p> <p>The load handling device with the vehicle is lowered without the switch-off points. There can be serious injuries and damage to property due to falling of the vehicle and crushing.</p> <ul style="list-style-type: none"> <li>• Check the danger zone. There must be no persons and objects in the danger zone.</li> <li>• Call in a second person for monitoring the situation.</li> <li>• Do not lower on mechanical end stops.</li> <li>• Stop lowering in case of emerging danger. The vehicle must not roll, slide, tilt or spin.</li> </ul>
---	---

<p><b>Poppet valve Y1</b></p>  <p>Figure 13: Emergency drain valve The emergency drain plug is located below the cover of the poppet valve Y1.</p>	<ol style="list-style-type: none"> <li>1. Set the main switch to OFF. Lifting platform is switched off.</li> <li>2. Check the danger zone.</li> <li>3. Release the cover of the poppet valve Y1.</li> <li>4. Open the emergency drain plug slightly.             <ul style="list-style-type: none"> <li>• Load handling devices are lowered.</li> <li>• Vehicle is in initial state.</li> </ul> </li> <li>5. Drive the vehicle away from the lifting platform.</li> <li>6. Firmly tighten the emergency drain plug. Emergency lowering is stopped.</li> <li>7. Lock the main switch with a padlock.             <ul style="list-style-type: none"> <li>• Main switch is secured against being switched on again. Leave the lock in place until it is repaired by an expert.</li> <li>• Operation may be commenced only after the rectification of all errors by an authorised person.</li> </ul> </li> </ol>
---	--

## 8.7 Rectify malfunctions

A malfunction is an event that occurs due to a deviation in the intended operation and defective components.

Set the main switch to 0.

Lock the main switch with a padlock. Notify the Continental Technical Service.

*Main switch is secured against being switched on again. Leave the lock in place until it is repaired by a specialist.*

*Operation may be commenced only after the rectification of all errors by a technical professional or qualified electrician.*

Check the function of the safety devices.



The following work must be carried out exclusively by the technical professionals, hydraulic specialists or qualified electricians.

S.30H SL MH Midrise Mobile Scissor Lift - 3000kg – Operating Instructions

Malfunction	Cause	Remedy
The load handling devices are not lifted and lowered.	Electrical malfunction	Set the main switch to <i>OFF</i> . Check electrical connections. Check components and fuses.
The load handling device is not lowered.	Lowering solenoid valves EV1 and EV2 are defective.	Check the lowering solenoid valves for flow.
	Electrical malfunction	Unscrew the switch on the 2/2-way lowering valve EV3.  <i>Load handling device is lowered.</i> Screw the lowering switch onto the 2/2-way lowering valve EV3. Or contact Technical Services
	The 2/2-way lowering valve does not open.	Contact Technical Services
	Obstacle below the load handling device	Set the main switch to <i>ON</i> .  <i>Load handling device is lifted.</i> Obstacle removed. Set the main switch to <i>OFF</i> .  <i>Load handling device is lowered.</i>
The load handling device is not lifted.	The lowering solenoid valve is opened.	Bring the lowering solenoid valve in the normal position.
	No hydraulic oil in the hydraulic tank.	Fill in the hydraulic oil till the marking on the hydraulic tank.
	The pump runs in the wrong direction of rotation.	Check the hydraulic oil level in the hydraulic tank.
The load handling device lowers extremely slowly.	The lowering control valve is defective.	Contact Technical Services
The load handling device lifts extremely slowly.	The lowering solenoid valve does not close completely.	Contact Technical Services
	Suction filter is clogged.	Clean the suction filter.
	Pump is too hot.	Contact Technical Services
The maximum load capacity is not reached.	Pressure relief valve is defective.	Contact Technical Services
	Pump is too hot.	Contact Technical Services

## 9 Initial commissioning



The following work may only be performed by technical experts and electrical experts.

1. Test fasteners.
2. Check safety devices.
3. Check limit switch at top and bottom through trial run.
4. Check safety stop through trial run. Stop and signal tone occur 200 mm above initial position.
5. Check limit switch at top and bottom through trial run with nominal load.
6. Check safety stop through trial run with nominal load.
7. Switch on lifting platform.
8. Position vehicle.
9. Lift vehicle.
10. Lower vehicle.
11. Switch off lifting platform.
12. Have the expert inspection (see Maintenance) performed in accordance with the test specifications.  
Enter result in inspection book.

## 10 Maintenance



### 10.1 Carry out thorough inspection



The following work may only be carried out by experts

A thorough inspection as defined by BS7980 should be undertaken by a competent person at intervals not exceeding 6 months. The first inspection must be performed after the initial commissioning. It is recommended that you use a GEA accredited lift engineer as they have the appropriate training and experience.

## 10.2 Inspections

 	<b>Warning!</b>
	<p>Maintenance work is carried out.  <i>Serious injury and damage to property are possible.</i></p> <ul style="list-style-type: none"> <li>• Disconnect the lifting platform from the power supply.</li> <li>• Block the access for unauthorised persons to the work area.</li> <li>• Affix or put up an information sign that warns about the maintenance work.</li> </ul>



The following work must be carried out exclusively by trained persons.

### Daily inspection/maintenance

The lift must undergo a daily visual inspection by the operator to ensure serviceability.

Inspections vary but should include,

- steel wire ropes and lifting chains for damage, corrosion or lack of adjustment
- hydraulic equipment and connections for leaks
- support pads, adapters or blocks for wear or damage;
- arm locking, for full , automatic engagement, auto chocks and height limit devices for correct operation.
- the lift is examined for signs of corrosion and recified

### In addition to the above

Disconnect the lifting platform from the power supply

1. Release the lifting platform.
2. Secure the lifting platform from restarting.
3. Ensure de-energisation on the lifting platform.
4. Ground and short-circuit.
5. Cover or fence off adjacent live parts.

If the load handling device is lifted more often than 4x per hour, 20x per day, increase the frequency of maintenance.

Component	To inspect	Frequency
Safety devices	Efficiency Completeness Fastening Deformations Contaminations	After setting up, operation and disruptions At least every three months
Control elements	Function Movement Cleanliness	weekly
Electrical lines	Damage Fastening	semi-annually
Toothed racks and rack elements of the depositing device	Condition	semi-annually

S.30H SL MH Midrise Mobile Scissor Lift - 3000kg – Operating Instructions

Moving parts, e.g. hinge shaft, rollers of the ramps, depositing lock	Lubrication	semi-annually
Anti-slip device	Condition Function	every three months
Rails	Cleanliness Wear (cracks, corrosion, deformations)	daily
<b>Component</b>	<b>To inspect</b>	<b>Frequency</b>
Scissors	Lubrication with grease (inside and outside of the scissors) Function Movement Wear (surface, cracks, corrosion, deformations)	daily
Nuts of the scissor axles	Fixed place	annually
Roller tracks and rollers	Lubrication Movement Wear	semi-annually
Rollers and counterfaces	Lubrication with grease	semi-annually
Hydraulic system	Hydraulic oil quantity	monthly
	Changes in the consistency of the hydraulic oil (e.g. dark colour, odour, milky turbidity)	annually
	Air bubbles in the hydraulic oil (exhaust the air from the system in case of air bubbles.)	monthly
	Fastening Cracks Denseness	semi-annually
	Condition of the filter on the hydraulic power unit	annually
Hydraulic hoses and lines	Leakage Fixed place	weekly
	Damage (cracks, chafe marks, cuts) Deformations in the depressurised or pressurised state and bending Free movement	monthly
	Corrosion on the fitting No over-painting	semi-annually
	Period of use	Replace hydraulic hoses every 6 years
Floor attachment Anchors	Tightening torque	annually

All inspections and maintenance should be recorded and kept with the lift.



### 10.3 Maintain and clean lifting platform



The following work may only be carried out by trained persons.

#### 10.3.1 Lubricate lifting platform

See *Inspections*

#### 10.3.2 Clean lifting platform

Lifting platform comes into contact with cleaning agents.

*Material damage is possible due to extremely long exposure and incorrect application.*

Allow cleaning agent to act for a maximum of 1 hour.

Do not use solvents containing esters, alcohols or halogenated hydrocarbons.

Do not use scraping and abrasive cleaning agents.


Do not use acidic or strongly alkaline cleaning and wetting agents.

Use cleaning agents > 25°C.


Do not use steam jet equipment.

Component surface must be > 25°C.

Water temperature must be > 25°C.

 <p>Water Neutral or weakly alkaline cleaning agents Cloths or sponges Preservative, for example, cavity sealing</p>	<p>Clean the lifting platform with water, detergent and cloths or sponges. Rinse the lifting platform with clean water. Apply preservative to areas with open edges or moisture. Do not apply to rails. <i>Coating will be protected.</i> <i>Capillaries in the surface coating are closed.</i> Steps 1, 2 and 3 should be repeated at least every 4 to 6 weeks in case of heavy soiling, moisture and on critical components (drip edges). Reduce the time period depending on the environmental load.</p>
--	---

#### 10.3.3 Repair paint damage

 <p>Sandpaper graining 120 Paint (observe the RAL colour)</p>	<ol style="list-style-type: none"> <li>1. Sand paint damage with sandpaper.</li> <li>2. Touch up paint damage with paint.</li> </ol>
--	--

# 10.4 Spare Parts

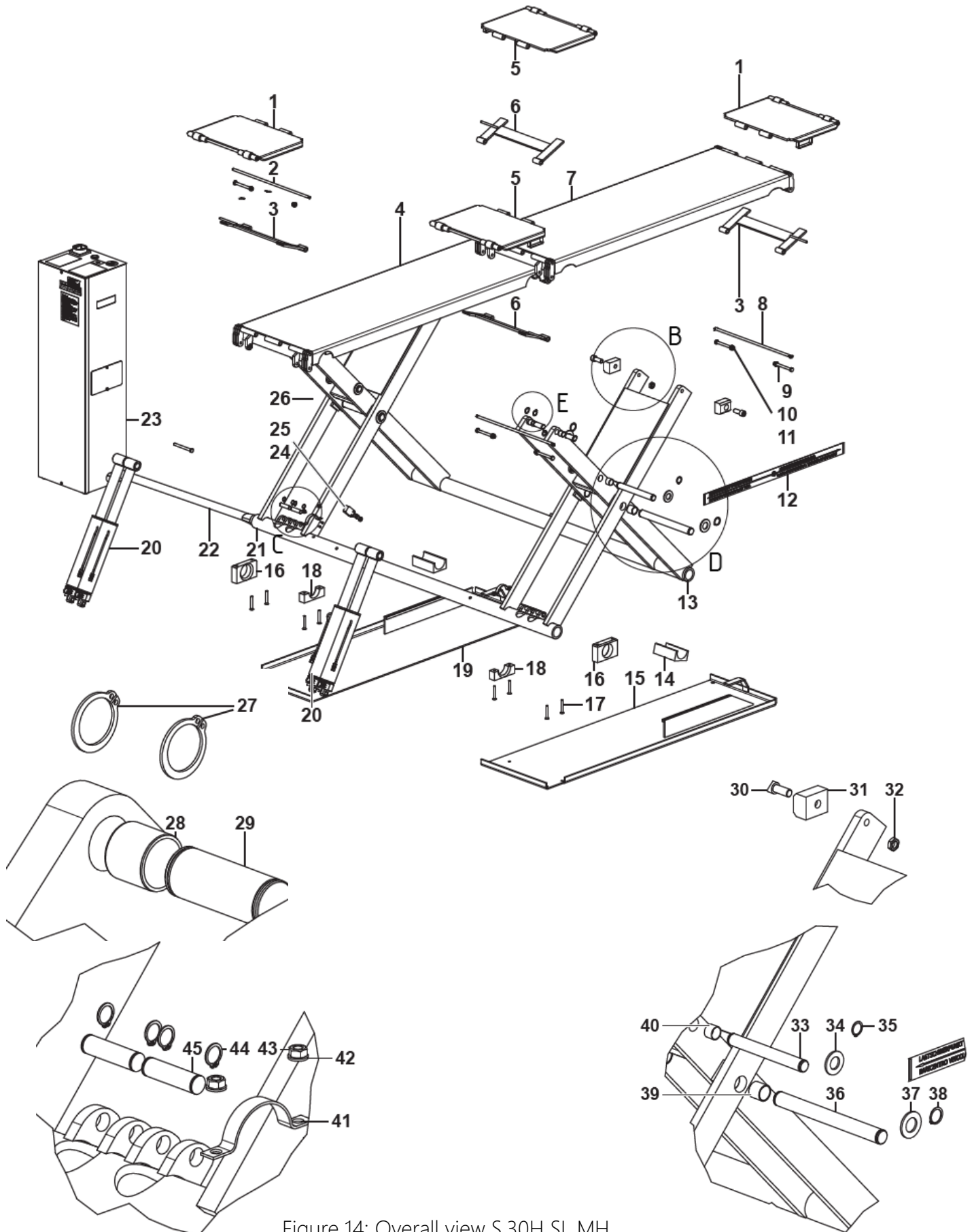


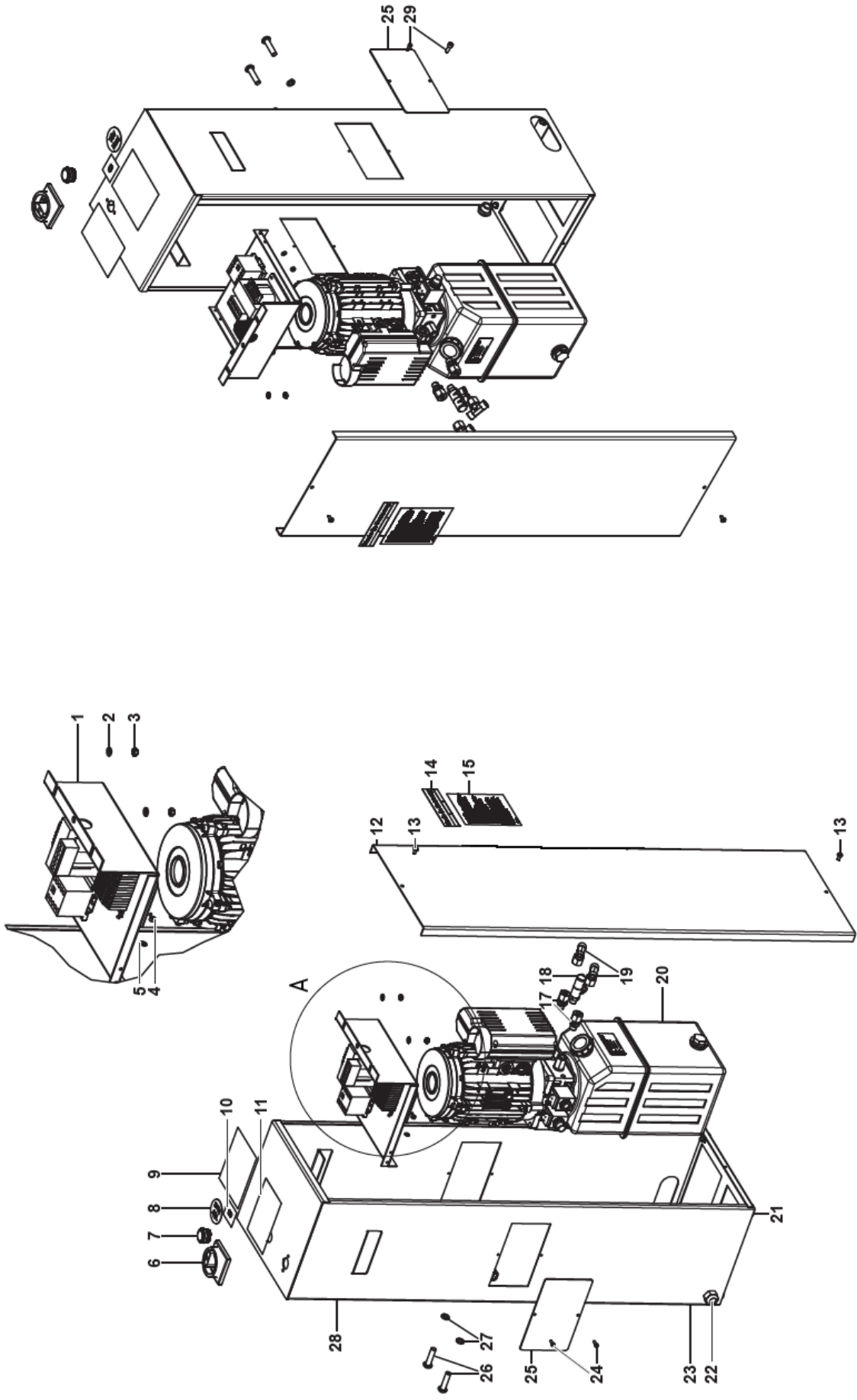
Figure 14: Overall view S.30H SL MH

S.30H SL MH Midrise Mobile Scissor Lift - 3000kg – Operating Instructions

Item	Component	Part Number	Quantity
1	Left access ramp cpl.	2910002842400	2
2	Split pin, 3.2x20, DIN 94		4
3	Left ramp lock, short stroke.		2
4	Runway 1 cpl.		1
5	Right access ramp cpl.	2910002842300	2
6	Right ramp lock, short stroke		2
7	Runway 2 cpl.		1
8	Split pin 3.2x14, DIN 94		4
9	Hexagon head bolt M10x100, DIN 933		8
10	Washer 10.5, DIN 125-1 107508 8		8
11	Hexagon nut M10, DIN EN ISO 7040		8
12	Adhesive label of the load centre	2910002841200	1
13	Inner scissor-type frame cpl.		1
14	Slide block	2910002838600	2
15	Floor trough 1, galvanised	2910003028200	1
16	Fastening block, outer	2910002837000	2
17	Countersunk head screw M8x60, DIN7991		8
18	Fastening block, inner	2910002837900	2
19	Floor trough 2, galvanised	2910003028300	1
20	Hydraulic cylinder 55/40/235 stroke	2910002839700	4
21	Outer scissor-type frame cpl.		1
22	Hose cut 4000 mm	2910003028400	1
23	Control panel cpl.		1
24	Micro switch with cable	2910002834000	1
25	Cylinder head screw M4x30, DIN 912		2
26	Runway fastening bolts		4
27	Retaining ring 20x1.2, DIN 471	2910002833200	8
28	Locking pins for ramp 460 mm long	2910003028600	1
29	DU bushing 2020	2910002833800	4
30	Cylinder head screw M16x40,DIN 912	2910002842100	4
31	Slide block, above	2910002839600	1
32	Hexagon nut M16, DIN 439, galvanised	2910002835300	4
33	Cylinder fastening bolts, above	2910002839200	2
34	Washer 28, DIN 125, galvanised		4
35	Retaining ring 25x1.2, DIN 471	2910003028900	4


Item	Component	Part Number	Quantity
36	Central axis fastening bolts	2910002839000	2
37	Washer 31, DIN 125, galvanised	2910003028800	8
38	Retaining ring 30x1.5, DIN 471	2910003028900	4
39	DU bushing 3030	2910002836100	8
40	DU bushing 2520	2910002833400	4
41	Fastening clamp	2910002837600	2
42	Washer 8.4, DIN 125		4
43	Hexagon nut M8, DIN EN ISO 7040		4
44	Retaining ring 15x1, DIN 471	2910002841300	8
45	Cylinder fastening bolts, below	2910002836600	4
	Air pipe 5.5 m long		2
	Hydraulic hose 4000 mm long	2910002841400	1
	Hydraulic hose 5500 mm long	2910002841600	1
	Air pipe 4 m long		2
	Hydraulic hose 4000 mm long, 90°	2910002841800	1
	Hydraulic hose 5500 mm long, 90°	2910002841900	1


# 10.4.2 Control Panel



Item	Component	Part Number	Quantity
1	Control unit		1
2	Washer DIN 125-1 A A 6.4		6
3	Hexagon nut M6, DIN 934		6
4	Hexagon nut M5, DIN EN 24032		2
5	Washer DIN 125-1 A A 5.3		2
6	Main switch	2910003027300	1
7	Push button complete	2910003027400	1
8	Sign TUV		1
9	Sign GS		1
10	Information sign	2910003027600	1
11	Sign QR		1
12	Front cover	2910003028100	1
13	Screw M5x10, DIN 7895		2
14	Sign Made in Germany		1
15	Maintenance instruction	2910003027700	1
17	Straight threaded fitting	2910003027800	2
18	Multiple distributors	2910003027900	1
19	T connection piece	2910003028000	2
20	Power unit		1
21	Floor leveling bolt M6x16		4
22	Electric connection M20		1
23	Operating console		1
24	Screw M4x12, DIN 912		3
25	Cover		2
26	Screw M10x40, DIN EN ISO 7380-1		2
27	Spring washer 10, DIN 7980		2
28	Screw M6x16, DIN 912		1
29	Screw M5x8, DIN EN ISO 4762		2

## 11 Decommissioning

 The following work must be carried out exclusively by technical professionals and qualified electricians.

	<p><b>Warning</b></p> <p>Lifting platform is disassembled.  <i>There can be serious injuries and damage to property due to defective components.</i>                  Disconnect the lifting platform from the power supply.                  Block the access for unauthorised persons to the work area.                  Take special precautions in case of defective components.</p>
---	--

### 11.1 Disconnect the lifting platform from the power supply

1. Release the lifting platform.
2. Secure the lifting platform from restarting.
3. Ensure de-energisation on the lifting platform.
4. Ground and short-circuit.
5. Cover or fence off adjacent live parts.

### 11.2 Empty hydraulic tank

1. Position a drain trough.
2. Loosen the screw connection between the hydraulic hose and the hydraulic power unit using a spanner.
3. Hold the hydraulic hose in the drain trough.  
*Hydraulic oil is completely flowed in the drain trough.*  
 Detach the hydraulic hose between the scissors.


### 11.3 Uninstall the lifting platform electrically

Disconnect the electric cable.  
 Route the cable for electrical connection out of the control panel.

### 11.4 Disassemble the scissors

1. Screw out 8 connection anchors in the base plate.
2. Dismantle the scissors with the assembly crane.

## 12 Disposal

 The following work may only be carried out by specialists in recycling and waste management. All components in accordance with the laws of the country where lifting platform is installed. Document scrapping in accordance with the laws of the country where lifting platform is installed.

## 13 Appendix

### 13.1 Transport damage report

#### Transport damage report

##### Lifting platform

Lifting platform type: \_\_\_\_\_

Serial number: \_\_\_\_\_

##### Delivery

Delivery note number: \_\_\_\_\_

Supplier: \_\_\_\_\_

Date: \_\_\_\_\_

##### Damage

during unpacking       during delivery

Damage description:

---

---

---

---

---

---

---

---

---

---

Attach photos for better understanding.

Packing condition:

damaged       not damaged





## 13.2CE Declaration of Conformity – 324955 Iss A



### EU Declaration of Conformity

*This declaration of conformity is issued under the sole responsibility of the manufacturer.*

We hereby declare that the lifting platform described below complies with the relevant basic health & safety requirements of the EC Directive by virtue of its design and construction and the version placed on the market by us. In the event of a change to the lifting platform that has not been approved by us, this declaration shall cease to be valid

**Manufacturer:** Continental Automotive

**Details of Electrical Equipment:** Continental Compact scissor lift S.30H SL MH

**Description:** Continental Compact scissor lift S.30H SL MH  
Vehicle lifting equipment

Since the tested work equipment cannot be delivered ready for operation, the work equipment must be checked for operational readiness by a factory-trained fitter with a valid certificate not older than 2 years for the respective lifting platform

**Conformity:** product complies with the essential requirements of the following directives:

- Machines 2006/42/EC
- Electromagnetic Compatibility Directive (EMC) 2014/30/EU

and the following harmonized standards and technical specifications have been applied:

- EN 1493:2010
- EN 60204-1:2018
- EN 55014-1:2017
- EN 55014-2:2015
- EN 61000-6-3:2007 + A1:2011
- EN ISO 12100:2010

#### Test Specification

- German Social Accident Insurance Principle DGUV G308-003

**CE Mark 1<sup>st</sup> applied:** 20<sup>th</sup> October 2022

#### Authorized representatives:

Position - Head of Quality  
Name - Darren Walker  
Signature -

Position - MD, Head of CVS S2 ,UK  
Name - Paul Jennings  
Signature -

Date of 1<sup>st</sup> Issue 20<sup>th</sup> October 2022

Continental Automotive Trading UK Ltd  
36 Gravelly industrial Park  
Birmingham  
B24 8TA

InternalSales Enquiries: +44 (0) 121 326 1234  
Support: +44 (0) 844 665 7623  
Email: autodiagnos@vdo.com  
Web: www.autodiagnos.com

### 13.3UKCA Declaration – 324956 Iss A



## UKCA Declaration of Conformity

This declaration of conformity is issued under the sole responsibility of the manufacturer.

**Manufacturer:** Continental Automotive

**Details of Electrical Equipment:** Compact scissor lift S.30H SL MH KH

**Description:**

Compact Scissor Lift. S.30H SL MH KH

Vehicle lifting equipment

**Conformity:** product complies with the essential requirements of the following UK regulations:

- Electrical Equipment Safety Regulations:2016 No. 1101 (2014/35/EU)
- Electromagnetic Compatibility Regulations:2016 No. 1091 (2014/30/EU)
- Supply of Machinery (Safety) Regulations:2008 No. 1597 (2006/42/EG)

and the following harmonized standards and technical specifications have been applied:

BS EN 1493:2010 -	Vehicle Lifts
BS EN 60204-1:2018 -	Safety of machinery. Electrical equipment of machines. General requirements
BS EN 12001:2012 -	Conveying, Spraying & placing Machines for Concrete and Mortar. Safety Requirements.
BS EN 55014-1:2017 -	Electromagnetic Compatibility (EMC). Requirements for household appliances, electric tools, and similar apparatus. Emission
BS EN 55014-2:2015 -	Electromagnetic Compatibility (EMC). Requirements for household appliances, electric tools, and similar apparatus. Immunity. Product family standard
BS EN 61000-6-3:2007 + A1:2011	Electromagnetic Compatibility (EMC). Generic standards - Emission standard for residential, commercial, and light-industrial environments

**UKCA Mark 1<sup>st</sup> Applied: August 2022**

**Authorized representatives:**

Position - Head of Quality S2 UK

Name - Darren Walker

Signature -

Position - MD, Head of CVS S2, UK

Name - Paul Jennings

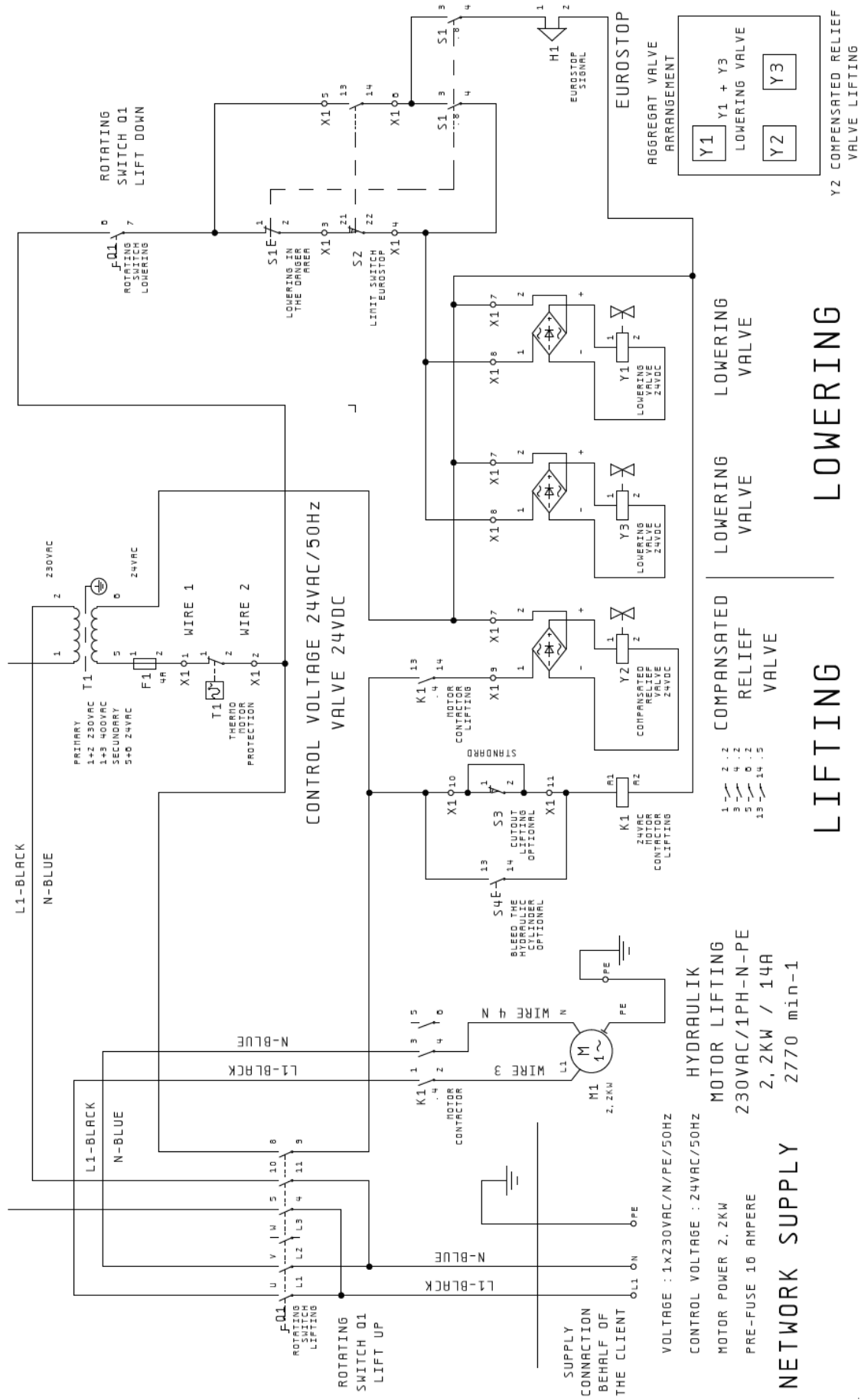
Signature -

Date of 1<sup>st</sup> Issue 30<sup>th</sup> August 2022

Continental Automotive Trading UK Ltd  
36 Gravelly industrial Park  
Birmingham  
B24 8TA

Sales Enquiries: +44 (0) 121 326 1234  
Support: +44 (0) 844 665 7623  
Email: [autodiagnos@vdo.com](mailto:autodiagnos@vdo.com)  
Web: [www.autodiagnos.com](http://www.autodiagnos.com)

### 13.4 Circuit diagram



# 13.5 Hydraulic plan

Connecting Cylinder PT1 at Point P.  
 Connecting Cylinder PT2 at Point P1.

Lifting: Use Valve V2.

Lowering: Use Valve V1 and V3.

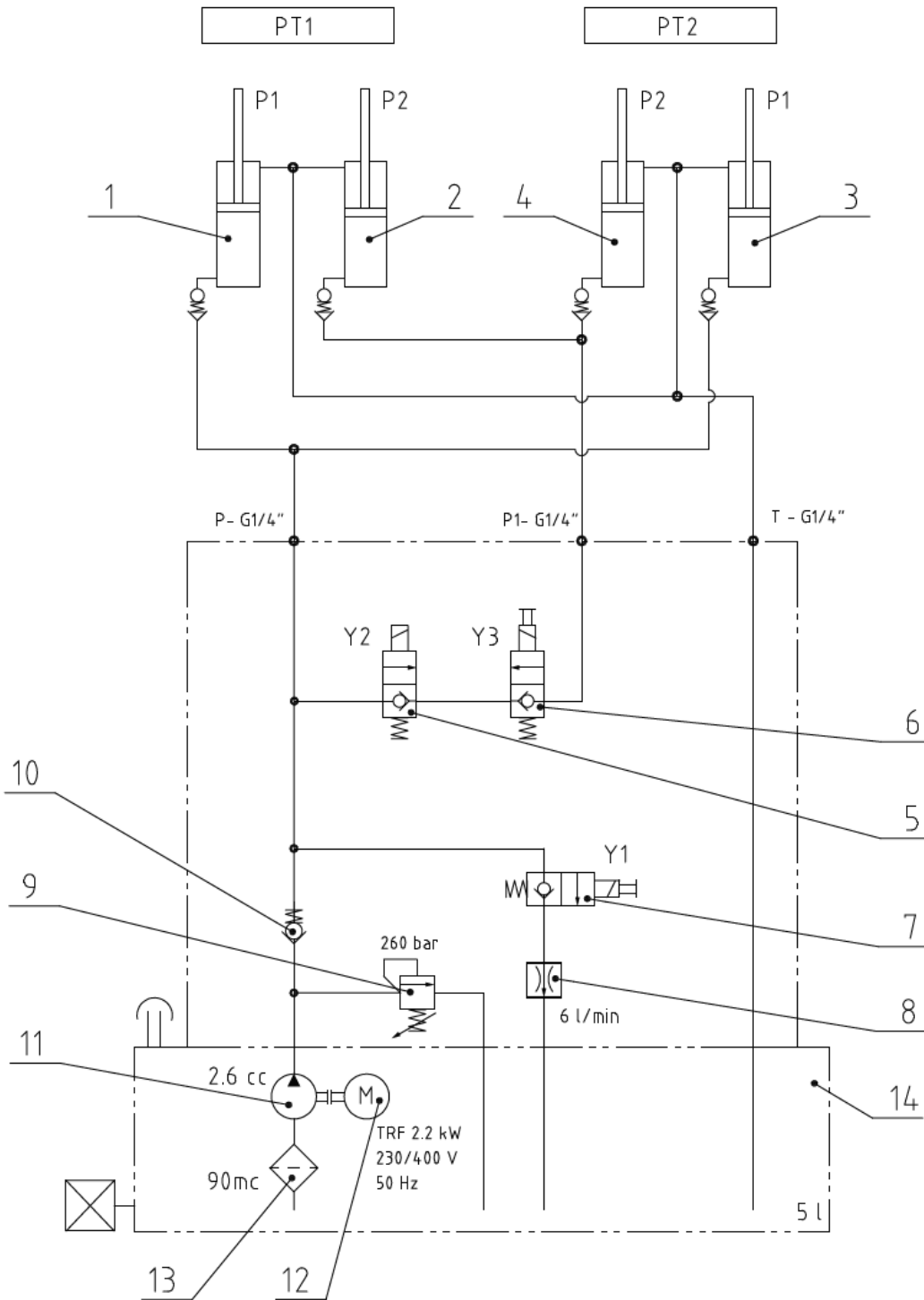


Figure 16: Hydraulic plan (010101)

Item	Component	Qty
1	Cylinder P1 - PT1	1
2	Cylinder P2 - PT1	1
3	Cylinder P1 - PT2	1
4	Cylinder P2 - PT2	1
5	2/2-way valve	1
6	2/2-way valve with manual control	1
7	2/2-way valve (Lowering valve) with manual operation	1
8	Flow control valve	1
9	Pressure relief valve (260 Bar)	1
10	Check valve	1
11	Gear pump	1
12	Motor 2.2kW	1
13	Suction	1
14	Hydraulic oil tank 5l	1



**Continental Automotive Trading UK Ltd**

36 Gravelly Industrial Park,  
Birmingham,  
B24 8TA  
Tel: 0121 725 1234 |  
Email: [salesorders@continental-corporation.com](mailto:salesorders@continental-corporation.com)  
[www.continental-aftermarket.com/gb-en](http://www.continental-aftermarket.com/gb-en)

**Legal notice**

The information in this brochure contains only general technical descriptions and performance characteristics, the applicability of which can depend on further factors in case of actual use. It is not meant or intended to be a specific guarantee of a particular quality or durability.

An obligation to provide the respective characteristics shall only exist if expressly agreed in the terms of contract. We reserve the right to make changes in availability as well as technical changes.