

RF SYSTEM

Operation & Maintenance Manual

Manufacturer

Continental Automotive Trading UK Ltd
36 Gravelly Industrial Park
Birmingham
B24 8TA

Sales

Tel: 0121 725 1400
Email: salesorders@continental-corporation.com

Technical Services

Tel: 0121 725 1366
Email: uksupport@continental-corporation.com

Document Information

| | | |
|-------------------|---------|-------------------------------------|
| Document Revision | Title | Operation & Maintenance Manual |
| | Type | RF System |
| | Version | 325085 Iss 1 |
| | Date | 1/5/2023 |
| | History | 325085 Iss 1_Initial Draft UK_01-13 |

E & O E. The Company reserves the right to introduce improvements in design or specification without prior notice. The sale of this product is subject to our standard terms, conditions and relevant product warranty.

Contents

1 Introduction..... 3

2 Identification Data..... 3

3 RF System 4

 3.1 Product Description..... 4

4 General Information..... 5

 4.1 Intended Use..... 5

 4.2 General Safety Rules..... 5

 4.3 Transportation 5

 4.4 Unpacking..... 5

5 Installation 6

 5.1 Installation On Tyre Changer 6

 5.2 Pneumatic Connection To Tyre Changer 7

 5.3 Components Assembly 8

6 Operation 9

 6.1 Removal Of Extra Low Profiled Tyres Or Racing Tyres 9

 6.1.1 Upper Bead 9

 6.1.2 Lower Bead..... 9

 6.2 Mounting Extra Low Profiled Tyres Or Racing Tyres 10

 6.2.1 Lower Bead 10

 6.2.2 Upper Bead 10

7 Maintenance 11

1 Introduction

Thank you for purchasing a product from the line of accessories. The machine has been manufactured in accordance with the very best quality principles. Follow the simple instructions provided in this manual to ensure the correct operation and long life of the machine. Read the entire manual thoroughly and make sure you understand it.

2 Identification Data

A complete description of the "Model" and the "Serial number" will make it easier for our technical assistance to provide service and will facilitate delivery of any required spare parts. For clarity and convenience, we have inserted the data of your tyre changer in the box below. If there is any discrepancy between the data provided in this manual and that shown on the plate fixed to the machine, the latter should be taken as correct.

This manual is an integral part of the product. Before using the tyre changer, carefully read the warnings and instructions contained in this manual since they provide important information on operating safety and maintenance.



Keep this manual for future reference.

3 RF System

3.1 Product Description

- 1) Arm 1
- 2) Lifting/lowering control
- 3) Bead pressing arm
- 4) Bead pressing tool
- 5) Bead lifting disk
- 6) Operating arm with bead lifting disk
- 7) Roller tool
- 8) Operating arm with roller tool

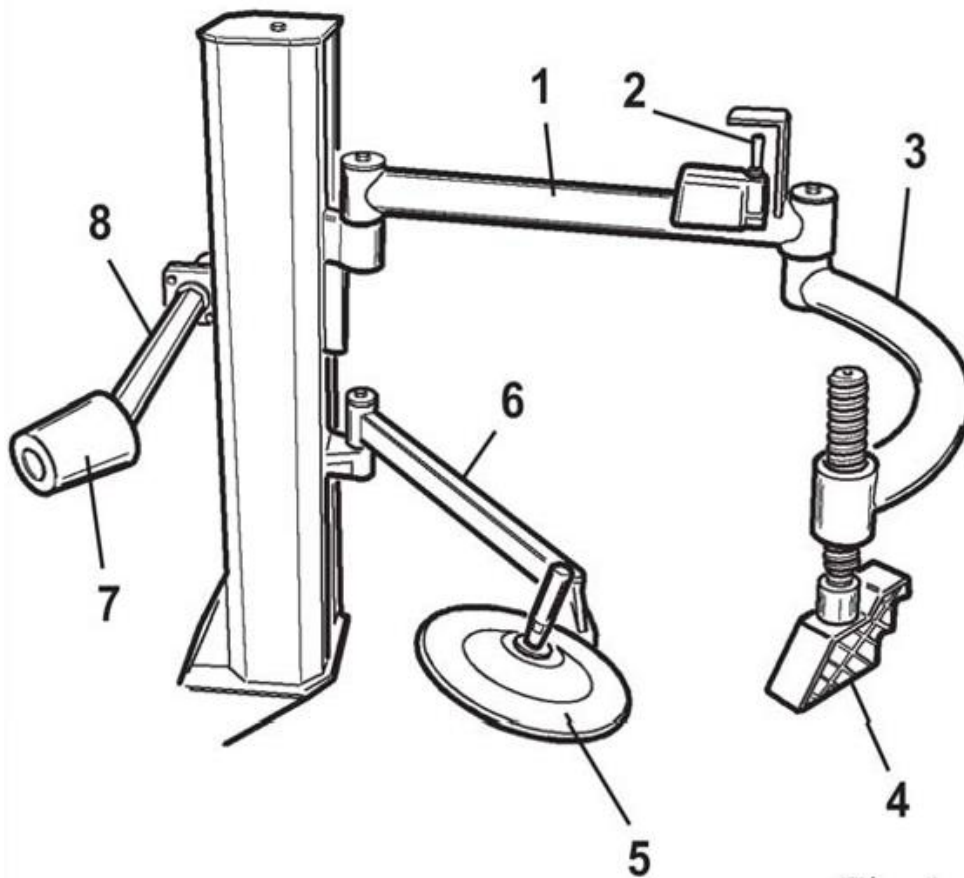


Fig. 1

4 General Information

4.1 Intended Use

These accessories have been designed and manufactured exclusively for being installed on a tyrechanger in order to facilitate removing and mounting of tyres from/onto the rim.



Any other use is to be considered incorrect and unreasonable.

In particular the manufacturer cannot be held responsible for any damage caused through the use for purposes other than those specified in this manual, and therefore inappropriate, incorrect and unreasonable.

4.2 General Safety Rules



The use of these accessories is permitted only and exclusively to trained and authorized expert staff.

Any tampering or modification to the equipment carried out without the manufacturer's prior authorization will free the manufacturer from all responsibility for damage caused directly or indirectly by the above actions.

Removing or tampering with safety devices immediately invalidates the warranty.

4.3 Transportation

The accessories must be transported in their original package and kept in the position shown on the package itself.

The packaged accessories may be moved by means of a forklift truck of suitable capacity.

4.4 Unpacking

Once the packing material has been removed, check the machine visually for any signs of damage. Keep the packing materials out of the reach as they can be a source of danger.

Keep the packing for possible future transport.

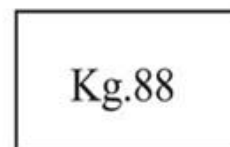
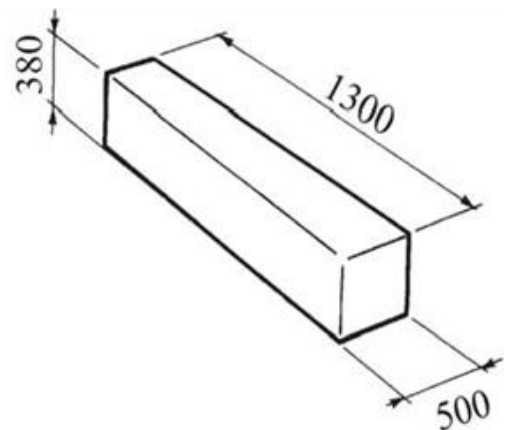


Fig. 2

5 Installation

The accessories need to be connected to a compressed air system with values between 8 - 10bar.

5.1 Installation On Tyre Changer

- Unscrew the lubricator support (fig. 3 ref. A).
- Set the RF SYSTEM support plates (D) in relevant holes and fix them by means of nuts M10 (fig. 4).
- Mount RF SYSTEM onto the supports and fix it by means of nuts M10 (E).
- Fix the lubricator support (if any) by screws to the RF SYSTEM body.
- Fix the lubricator to its support (if any) or directly to the RF SYSTEM body.

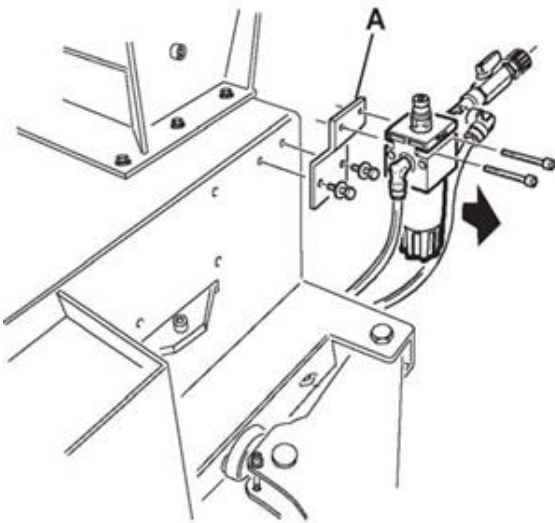


Fig. 3

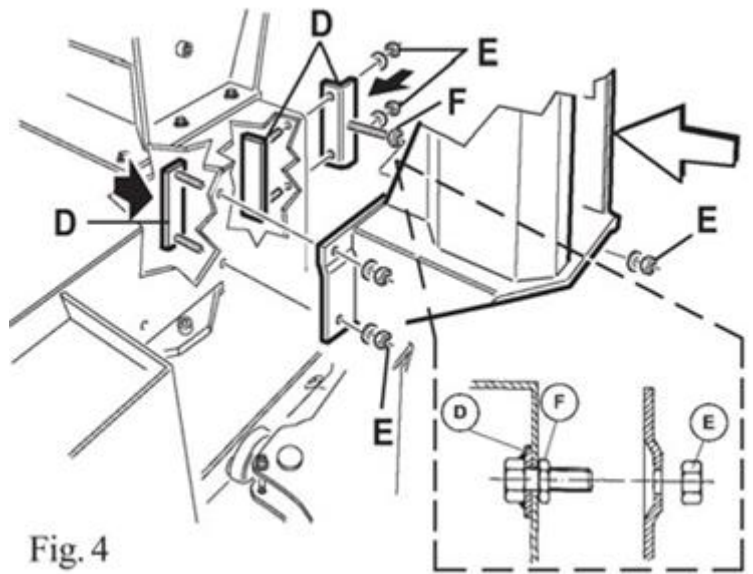


Fig. 4

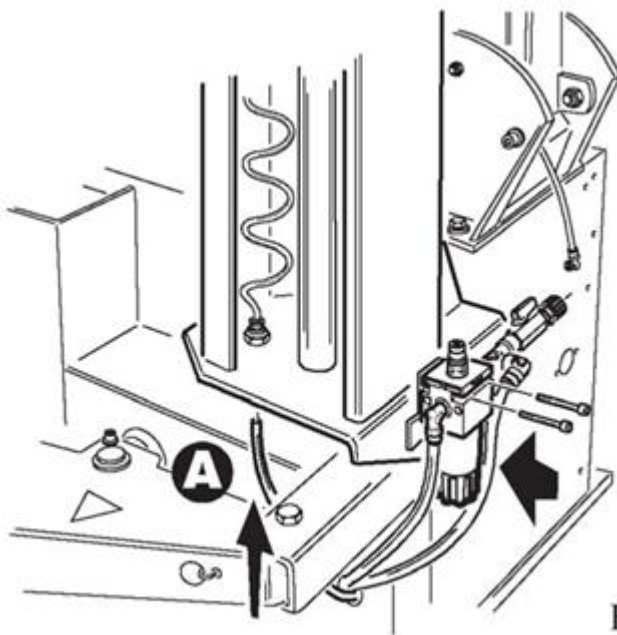


Fig. 5

5.2 Pneumatic Connection To Tyre Changer

- Cut the feeding air hose (fig. 6) at about 5cm from the regulator (if any).
- Connect the union, delivered with the kit, into the cut hose.
- Connect the hose coming from RF SYSTEM into the quick union.
- Make sure the hose fits the union properly.
- Make sure that the feeding hose of RF SYSTEM is correctly connected into the union under the base frame (fig. 7, ref. A)

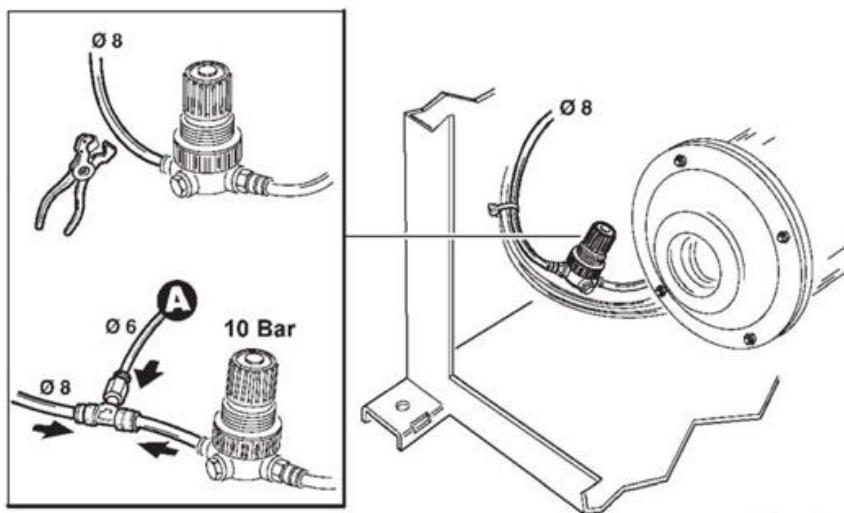


Fig. 6

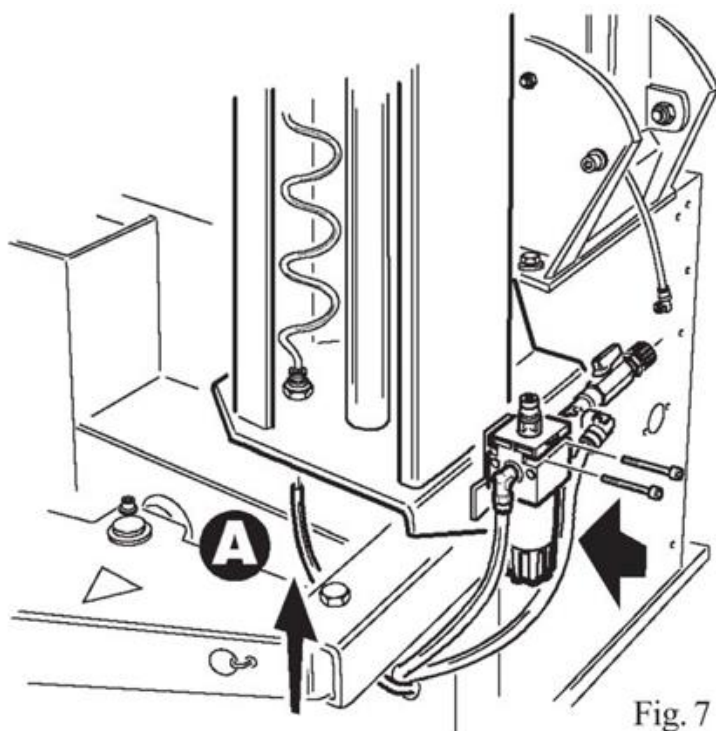


Fig. 7

5.3 Components Assembly

- Fit the bead pressing arm (H) into the pin and fix it adequately by means of screws and the washers (I).
- Apply the same procedure for mounting the disk arm (L) and fix it by means of screws and washers (M).
- Set the roller arm (N) into its housing and fix it by means of screws (P).

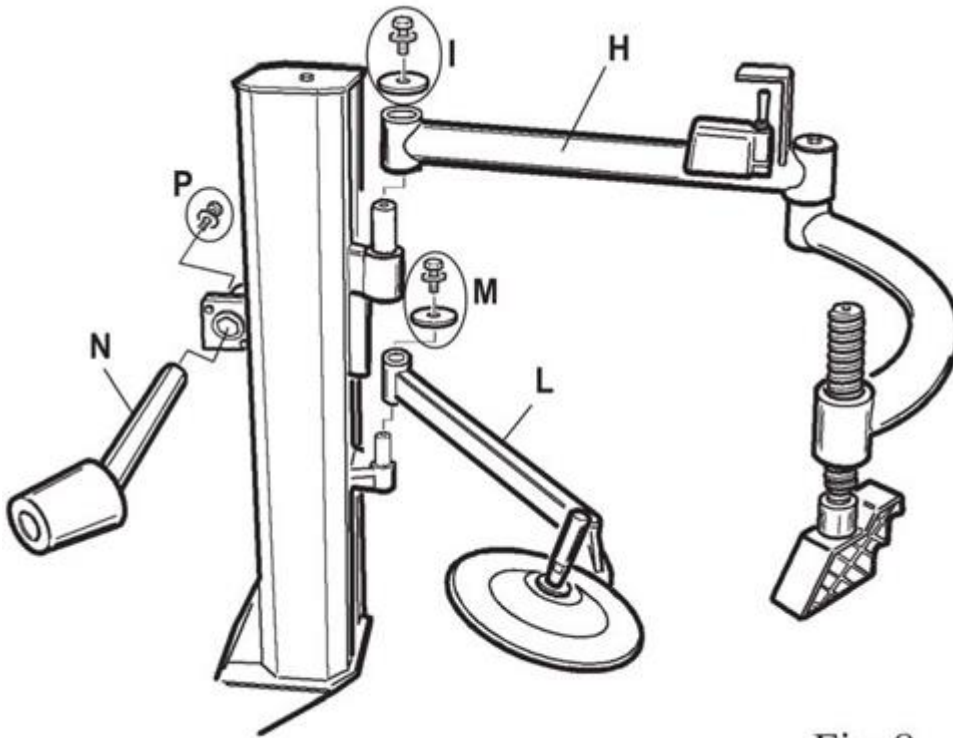


Fig. 8

6 Operation

6.1 Removal Of Extra Low Profiled Tyres Or Racing Tyres

6.1.1 Upper Bead

- Lock the rim onto the turntable as shown in tyre-changer's installation, use and maintenance guide.
- In case of difficulty, use the bead pressing tool (4) to keep the rim pressed onto the turntable clamps and facilitate its locking (if necessary, use a central cone to facilitate the operation) (fig.9).
- Position the mounting head as indicated by standard proceeding for tyre removal inside the installation, use and maintenance guide (if necessary, press roller against the tyre to facilitate the operation) (fig. 8).
- Position (fig. 10) the roller at the right side of the mounting head and the bead pressing tool (4)(fig. 11) at the opposite side, so that they press slightly the tyre downwards, in order to facilitate introduction of the bead-lifting lever (Y).
- Position the bead pressing tool (4) (fig. 11) at the tool opposite side to facilitate the tyre bead positioning on the mounting head by means of the bead lifting lever (Y).
- Once the lever is down and the bead is set onto the tool follow the standard removing procedure.

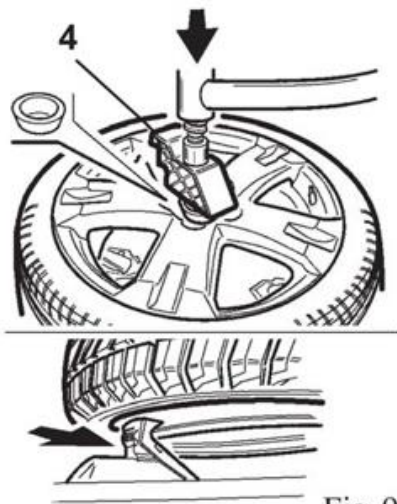


Fig. 9

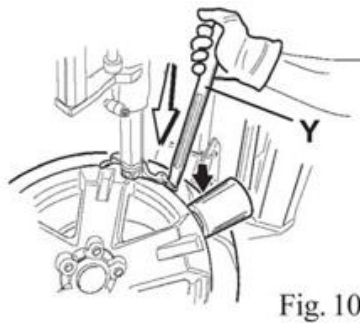


Fig. 10

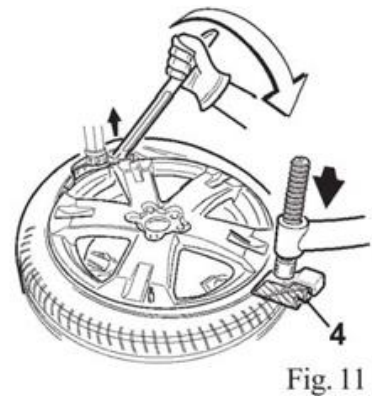


Fig. 11

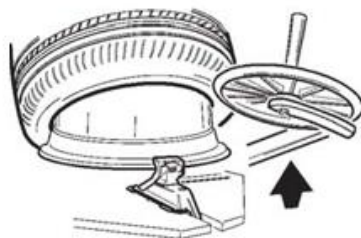


Fig. 12

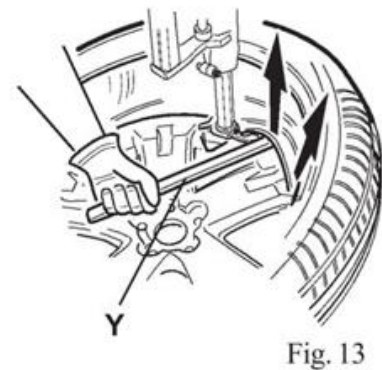


Fig. 13

6.1.2 Lower Bead

- Follow standard proceedings for tyre final removal and use the bead-lifting disks for keeping the tyre at the same level of rim's groove (fig. 12). This will facilitate tyre beading positioning on the tool by means of the bead-lifting (fig. 13).


6.2 Mounting Extra Low Profiled Tyres Or Racing Tyres

6.2.1 Lower Bead

- Follow standard proceedings described in the installation, use and maintenance guide of tyre changer.

6.2.2 Upper Bead

- Position the tyre as described by standard proceedings inside the installation, use and maintenance guide of tyre changer.
- Position the roller (8) and the bead pressing tool (4) at the right side of the mounting head (X) in a way that tyre upper bead stays at the same level of rim's groove (fig. 13).
- Let the turntable turn until the tyre is completely mounted (fig. 21).
- Release RF SYSTEM.

 **If, during operation, the bead pressing tool (4) is not pressed adequately (too much or too few), it is necessary to adjust its height by the screwing the screw as shown in the figure 15.**

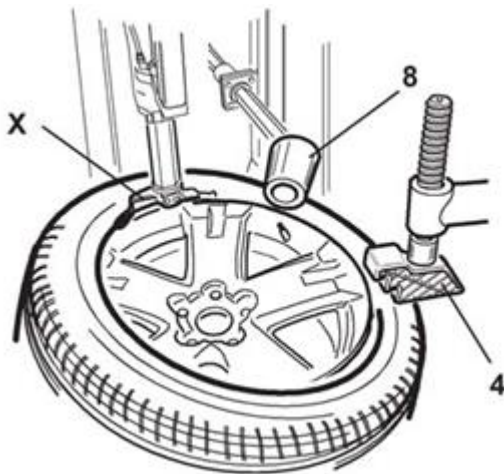


Fig. 13

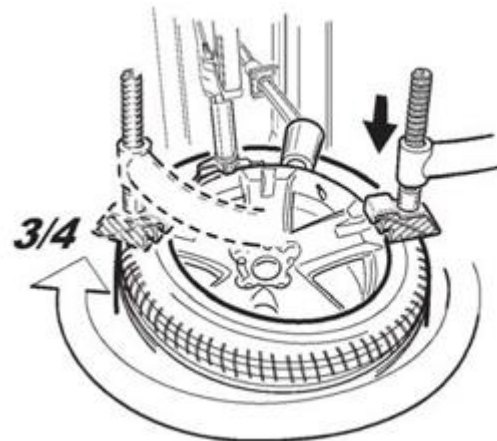


Fig. 14

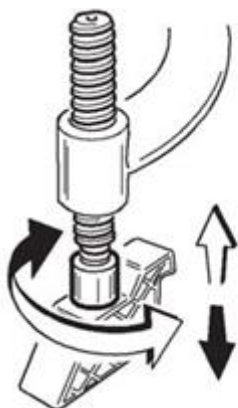


Fig. 15

7 Maintenance



Unauthorized person is forbidden to carry out maintenance work.

- Regular maintenance as described in the manual is essential for correct operation and long lifetime of the tyre changer.
- If maintenance is not carried out regularly, the operation and reliability of the machine may be compromised, thus placing the operator and anyone else in the vicinity at risk.



Before carrying out any maintenance work, disconnect the electric and pneumaticsupplies. Moreover, it is necessary to break the bead without load 3-4 times in order to let the air in pressure go out of the circuit.

- Defective parts must be replaced exclusively by expert personnel using the manufacturer's parts.
- Removing or tampering with safety devices (pressure limiting and regulating valves) is extremely forbidden.



In particular the Manufacturer shall not be held responsible for complaints deriving from the use of spare parts made by other manufacturers or for damage caused by tampering or removal of safety systems.

- Clean and grease weekly the sliding guides.
- For the rest, make reference to the installation, use and maintenance guide of tyre changer, on which HELP and PRESS ARM are mounted.

Continental Automotive Trading UK Ltd

36 Gravelly Industrial Park,
Birmingham,

B24 8TA

Tel: 0121 725 1234

Email: salesorders@continental-corporation.com

www.continental-aftermarket.com/gb-en

Legal notice

The information in this brochure contains only general technical descriptions and performance characteristics, the applicability of which can depend on further factors in case of actual use. It is not meant or intended to be a specific guarantee of a particular quality or durability.

An obligation to provide the respective characteristics shall only exist if expressly agreed in the terms of contract. We reserve the right to make changes in availability as well as technical changes.