



# Dependable, cutting-edge technology

## Start-stop and starter batteries

More than  
90%  
coverage



# More power: with our complete battery range

Whether it is start-stop batteries with advanced EFB or AGM technology or SLI batteries with dependable lead acid technology, we can offer you a complete range of batteries from a single source under the Continental brand.



Premium performance



High load capacity



Extreme temperatures



## Everything you need: go with Continental for a comprehensive portfolio

For every vehicle, we offer the right technology: a wide product range that includes ten batteries for future start-stop technology – featuring six with EFB technology and four with AGM technology – as well as 22 SLI lead acid batteries for vehicles without start-stop systems. Ten of these models are new ASIA batteries.

The total of 32 different batteries covers in this segment over 90% of the European vehicle market. Every single battery is of original equipment quality and is made in Europe.



### **You can rely on it: a 2-year warranty**

With our battery range, you benefit not only from a wider variety of products compared to other suppliers, but also from a warranty twice as long as the usual one-year warranty. Because we are confident about the quality of our products: thanks to advanced technologies, our batteries supply unrivaled power, with a cycle stability up to three times higher.

We can transmit that energy to your business too - with a full two-year warranty that you can pass on to your own customers.

**Your  
bonus:  
a 2-year  
warranty**

# Unrivaled in capacity and duration

## Start-stop batteries

Perfect for vehicles with start-stop system: our start-stop batteries are real premium products distinguished by the latest high-power technology. Persuasive EFB or highly advanced AGM – these are technologies that always deliver top quality.

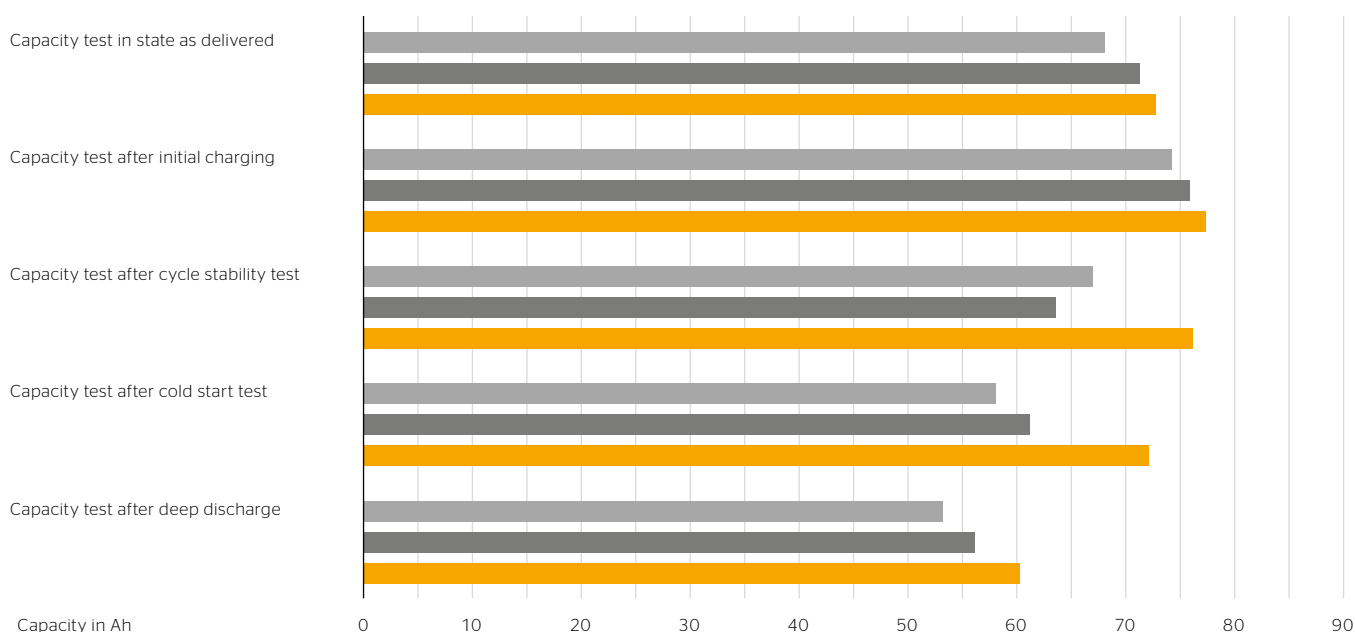
With its maintenance-free **Enhanced Flooded Battery (EFB)** with glass fiber insert, Continental is offering a technology intended specifically for vehicles with start-stop system at the entry level – enabling low-resistance and high-speed charging and discharging.

The maintenance-free and long-life **Absorbent Glass Mat (AGM) Battery** with absorbent glass fleece (or “mat”) is the best solution for all start-stop vehicles, including luxury models – and offers cycle stability up to three times higher than that of

conventional batteries. Thanks to the high load capacity, AGM batteries can absorb large overvoltages from braking operations, making energy recuperation possible.

Best values

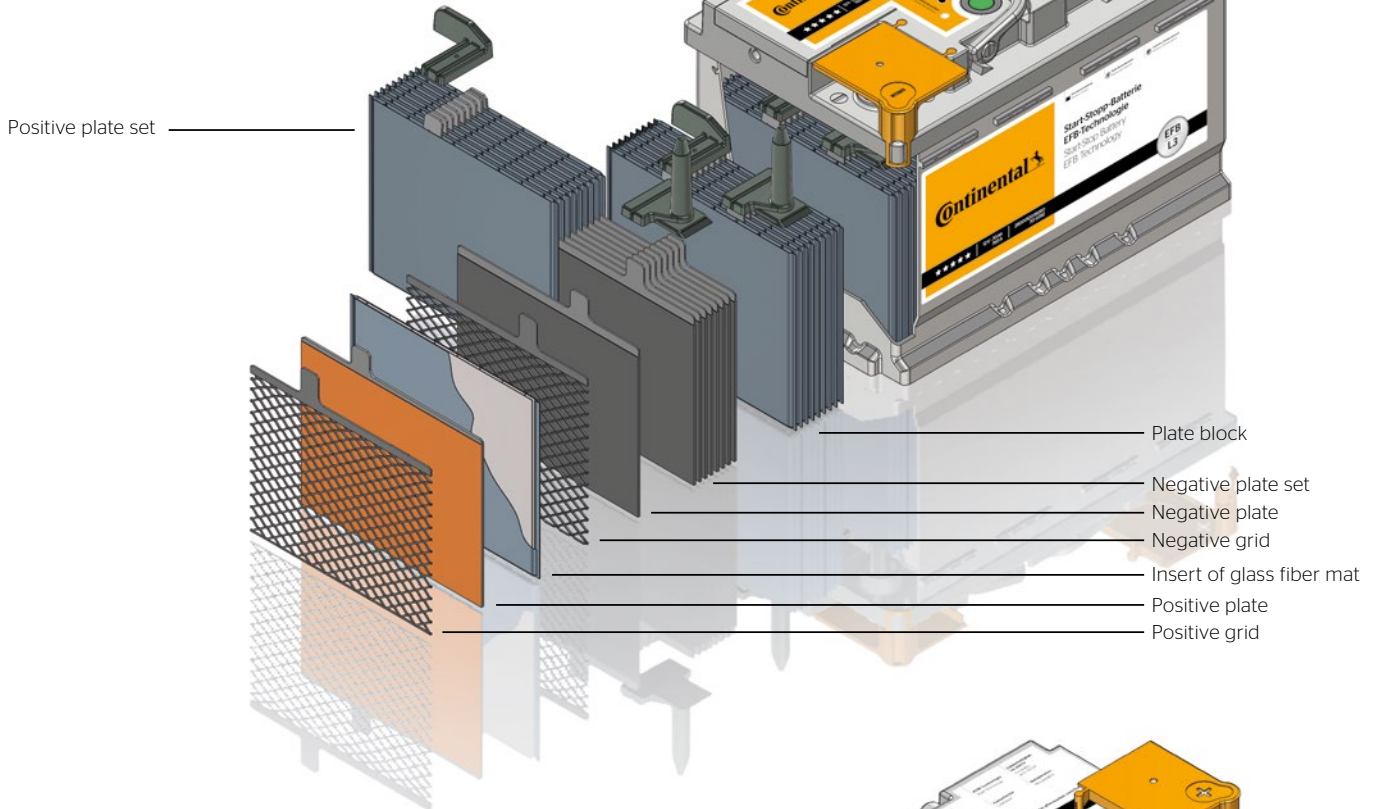
### Better than our competitors: Continental start-stop batteries in a comparative test



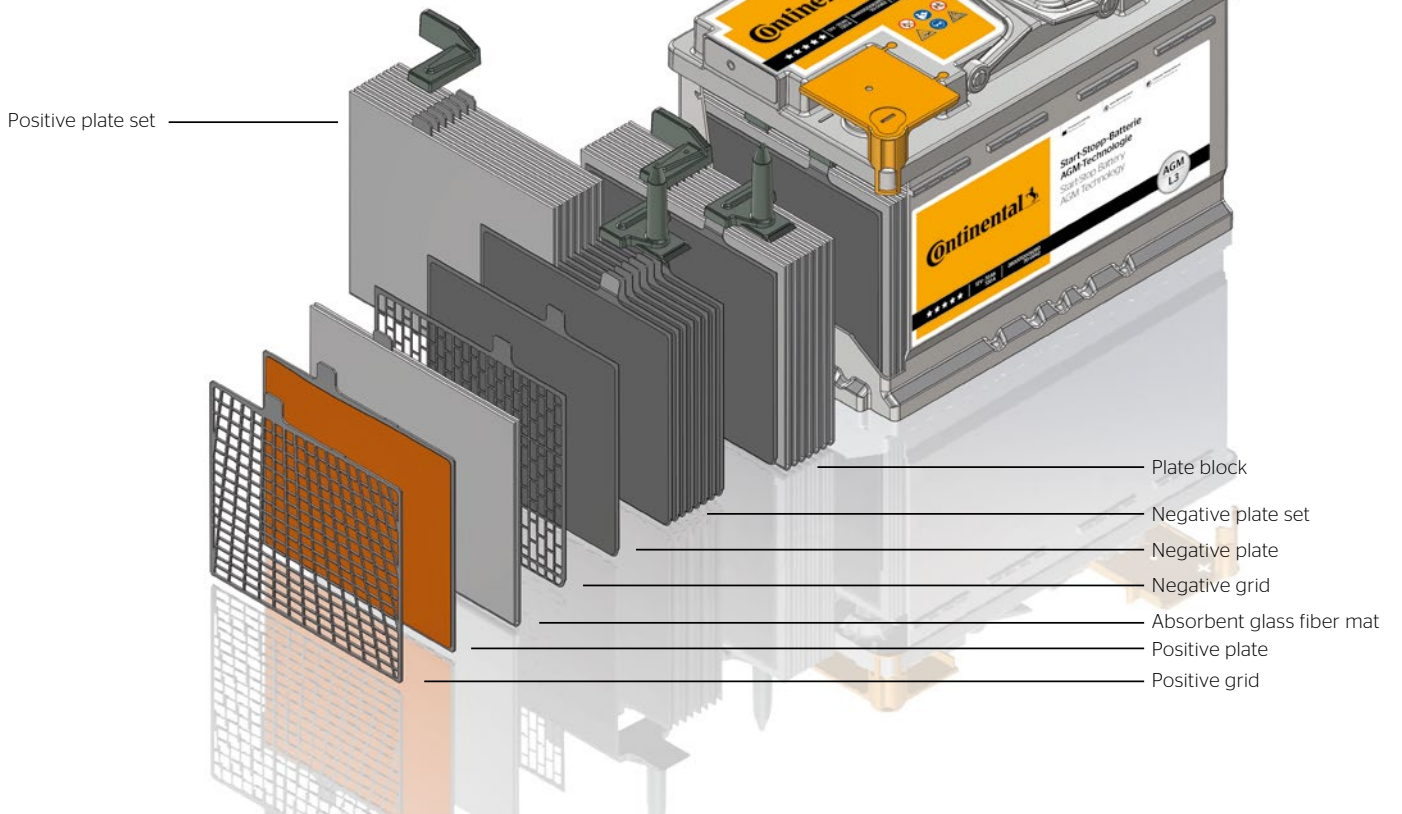
When **measuring the capacity of cycle stability, cold start test and deep discharge**, the Continental AGM L4 batteries offer the **best values**.

Competitors' batteries  
 Continental AGM L4

**EFB technology:  
battery design**



**AGM technology:  
battery design**





#### Advantages of EFB batteries

- › Perfect for vehicles with start-stop system at the entry level
- › For demanding weather conditions: 115% cold start performance (CCA)\*
- › Long service life of at least twice as many cycles\*
- › High deep discharge capacity
- › 20% lower energy consumption and greenhouse emissions\*
- › Charge indicator light (Magic Eye)
- › Safety in extreme cases: 100% leakproof
- › Maintenance-free - saves on labor and costs

#### Advantages of AGM batteries

- › Perfect for vehicles with start-stop system and braking energy recuperation
- › For demanding weather conditions: 135% cold start performance (CCA)\*
- › Long service life of at least three times as many cycles\*
- › Very high deep discharge capacity
- › 20% lower energy consumption and greenhouse emissions\*
- › Safety in extreme cases: 100% leakproof
- › Maintenance-free - saves on labor and costs

#### Technical information

| Article number | Type | Box | Box color | Dimensions (L x W x H) (mm) | Weight (kg) | Capacity (Ah) | Cold test current (A) | Polarity | Circuit |
|----------------|------|-----|-----------|-----------------------------|-------------|---------------|-----------------------|----------|---------|
| 2800012058280  | EFB  | L1  | Gray      | 207 x 175 x 190             | 14.38       | 50            | 540                   | 1        | 0       |
| 2800012038280  | EFB  | L2  | Gray      | 242 x 175 x 190             | 17.39       | 60            | 640                   | 1        | 0       |
| 2800012004280  | EFB  | LB3 | Gray      | 277 x 175 x 175             | 18.29       | 65            | 650                   | 1        | 0       |
| 2800012039280  | EFB  | L3  | Gray      | 278 x 175 x 190             | 20.07       | 70            | 760                   | 1        | 0       |
| 2800012005280  | EFB  | LB4 | Gray      | 315 x 175 x 175             | 20.50       | 75            | 730                   | 1        | 0       |
| 2800012040280  | EFB  | L4  | Gray      | 315 x 175 x 190             | 22.69       | 80            | 800                   | 1        | 0       |
| 2800012041280  | EFB  | L5  | Gray      | 353 x 175 x 190             | 25.56       | 95            | 850                   | 1        | 0       |
| 2800012059280  | EFB  | L6  | Gray      | 393 x 174 x 190             | 28.47       | 105           | 950                   |          |         |
| 2800012006280  | AGM  | L3  | Gray      | 278 x 175 x 190             | 21.04       | 70            | 720                   | 1        | 0       |
| 2800012007280  | AGM  | L4  | Gray      | 315 x 175 x 190             | 23.80       | 80            | 800                   | 1        | 0       |
| 2800012008280  | AGM  | L5  | Gray      | 353 x 175 x 190             | 26.69       | 92            | 850                   | 1        | 0       |
| 2800012055280  | AGM  | L2  | Gray      | 241 x 175 x 190             | 18.25       | 60            | 680                   | 1        | 0       |

\*Compared to conventional batteries.

# Dependable and strong SLI batteries

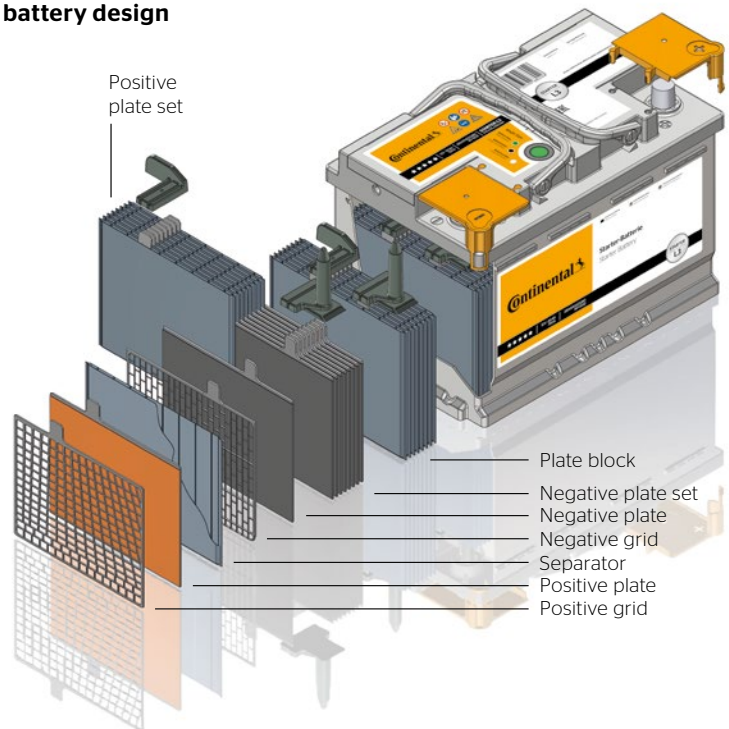
New to  
the portfolio:  
ASIA  
batteries

The Continental **starter batteries** with conventional lead acid technology are ideal for gasoline- and diesel-powered vehicles (HDI, TDI) without start-stop system. Thanks to their high capacity, they ensure at all times a sufficient voltage supply to the electrical and electronic systems inside the vehicle. They also boast an attractively low maintenance effort, high load capacity and long service life and were designed for demanding weather conditions at extreme temperatures.

## Advantages of starter batteries

- › Ideal for gasoline- and diesel-powered vehicles (HDI, TDI) without start-stop system
- › Safety in extreme cases: 100% leakproof
- › Charge indicator light (Magic Eye\*)
- › Low maintenance - less labor and costs

## Lead acid technology: battery design



## Technical information

| Article number | Type     | Box   | Box color | Dimensions (L x W x H) (mm) | Weight (kg) | Capacity (Ah) | Cold test current (A) | Polarity | Circuit |
|----------------|----------|-------|-----------|-----------------------------|-------------|---------------|-----------------------|----------|---------|
| 2800012018280  | SLI      | LB1   | Gray      | 207 x 175 x 175             | 12.93       | 50            | 500                   | 1        | 0       |
| 2800012019280  | SLI      | L1    | Gray      | 207 x 175 x 190             | 14.20       | 55            | 540                   | 1        | 0       |
| 2800012020280  | SLI      | LB2   | Gray      | 242 x 175 x 175             | 15.18       | 60            | 580                   | 1        | 0       |
| 2800012021280  | SLI      | L2    | Gray      | 242 x 175 x 190             | 16.71       | 65            | 640                   | 1        | 0       |
| 2800012022280  | SLI      | LB3   | Gray      | 278 x 175 x 175             | 17.74       | 70            | 680                   | 1        | 0       |
| 2800012023280  | SLI      | L3    | Gray      | 278 x 175 x 190             | 20.07       | 80            | 750                   | 1        | 0       |
| 2800012024280  | SLI      | LB4   | Gray      | 315 x 175 x 175             | 20.33       | 85            | 760                   | 1        | 0       |
| 2800012025280  | SLI      | LB5   | Gray      | 353 x 175 x 175             | 22.82       | 90            | 850                   | 1        | 0       |
| 2800012026280  | SLI      | L5    | Gray      | 353 x 175 x 190             | 25.40       | 100           | 900                   | 1        | 0       |
| 2800012027280  | SLI      | L6    | Gray      | 395 x 175 x 190             | 28.01       | 110           | 950                   | 1        | 0       |
| 2800012042280  | SLI      | LO    | Black     | 175 x 175 x 190             | 10.81       | 40            | 370                   | 1        | 0       |
| 2800012043280  | SLI      | LB1   | Black     | 207 x 175 x 175             | 12.24       | 45            | 440                   | 1        | 0       |
| 2800012044280  | SLI ASIA | NS40  | Black     | 185 x 126 x 220             | 9.21        | 35            | 280                   | 3        | 0       |
| 2800012045280  | SLI ASIA | NS40G | Black     | 185 x 126 x 220             | 9.21        | 35            | 280                   | 3        | 1       |
| 2800012047280  | SLI ASIA | NS60  | Black     | 236 x 127 x 220             | 12.52       | 45            | 325                   | 3        | 0       |
| 2800012048280  | SLI ASIA | NS60G | Black     | 236 x 127 x 220             | 12.52       | 45            | 325                   | 3        | 1       |
| 2800012049280  | SLI ASIA | D23   | Black     | 230 x 173 x 221             | 16.24       | 60            | 500                   | 1        | 0       |
| 2800012050280  | SLI ASIA | D23G  | Black     | 230 x 173 x 221             | 16.24       | 60            | 500                   | 1        | 1       |
| 2800012051280  | SLI ASIA | D26   | Black     | 259 x 178 x 221             | 18.24       | 70            | 610                   | 1        | 0       |
| 2800012052280  | SLI ASIA | D26G  | Black     | 259 x 178 x 221             | 18.24       | 70            | 610                   | 1        | 1       |
| 2800012053280  | SLI ASIA | D31   | Black     | 305 x 178 x 221             | 22.36       | 91            | 750                   | 1        | 0       |
| 2800012054280  | SLI ASIA | D31G  | Black     | 305 x 178 x 221             | 22.36       | 91            | 750                   | 1        | 1       |

\*Magic Eye not with SLI ASIA.



## Your gain in energy: our service

Start-stop systems with integrated battery management require a lot of expertise when the battery is changed. You are always well equipped when backed by our extensive services and special training options.

### **Training, courses and products available**

Changing batteries in sophisticated vehicles equipped with advanced start-stop systems and brake recuperation is increasingly becoming routine in workshops. So it is good to have the required specialized knowledge: the **training and courses of our TrainingCenter** shows you as a vehicle professional how, among other things replacement batteries for battery energy management (BEM) are trained. Additionally, our specialized diagnostic devices make your work easier. This handy service tester provides a rapid access to vehicle systems that works all by itself - and regardless of which manufacturer.

Put your trust in our overall concept and in the high product quality of our new technologies, and offer your customers a first-class service.



### **Find the right battery fast**

You are looking for a certain product? Then use the search function on our website **[www.continental-aftermarket.com](http://www.continental-aftermarket.com)** or our online catalog system **TecDoc**.

At **[www.continental-aftermarket.com/batteries](http://www.continental-aftermarket.com/batteries)**, you can also quickly and easily obtain all the information you need about the individual articles.





Always well advised - with great services



TrainingsCenter



Product information & data management



Sales-promoting measures



Workshop concept



Go for Continental quality with our comprehensive battery range:  
[www.continental-aftermarket.com/batteries](http://www.continental-aftermarket.com/batteries)



**Continental Aftermarket & Services GmbH**

Sodener Str. 9

65824 Schwalbach

Germany

Phone: +49 6196 87-0

[info@continental-aftermarket.com](mailto:info@continental-aftermarket.com)

[www.continental-aftermarket.com](http://www.continental-aftermarket.com)

**Legal notice**

The information in this brochure contains only general technical descriptions and performance characteristics, the applicability of which can depend on further factors in case of actual use. It is not meant or intended to be a specific guarantee of a particular quality or durability. An obligation to provide the respective characteristics shall only exist if expressly agreed in the terms of contract. We reserve the right to make changes in availability as well as technical changes.